

Tankless Water Heater Accessories

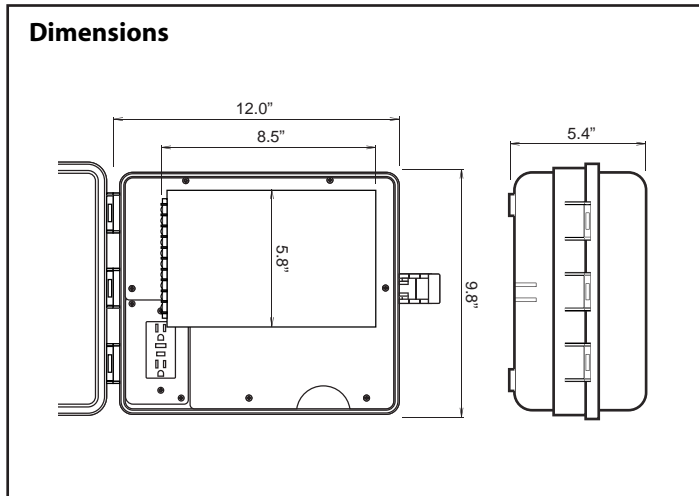
Specification Sheet

EXT System Controller

- The EXT System Controller can provide a central communication link for up to 6-unit Multi-Systems for NC199-OD and NC199-DVC commercial models
- Provides fully modulating operation among all units
- Rotates the operation of the units within the Multi-System for even wear
- Only one Remote Controller is required to control and monitor all the units connected to the System Controller
- Can be wall mounted indoors or outdoors with use of the included hardware



SC-201-6M-EXT



System Controller
6-Unit External System Controller
 (#SC-201-6M-EXT)

- System Controller for NC199-DVC (#SC-201-6M-EXT-DVC)
- System Controller for NC199-OD (#SC-201-6M-EXT-OD)
- Remote Controller Cord for Additional DVC Units - 10 ft (#RC-CORD10)*
- Remote Controller Cord for Additional DVC Units - 26 ft (#RC-CORD26)*

Compatible with Commercial Models
 NC199 Series (-OD and -DVC) Only

* Remote Controller Cords (10 ft) are included with the NC199-OD model only. Additional RC cords must be purchased when installing NC199-DVC models in a multi-system. Refer to the "Electrical Wiring" section in the SC-201-6M-EXT Installation Manual for more details.

