

Tankless Water Heater Accessories

Specification Sheet

System Controller

- Available System Controller models can provide a central communication link for up to 6-units
- Provides fully modulating operation among all units (user selectable option to fire 1 or 2 units default by default)
- Rotates the operation of the units within the Multi-System for even wear
- Only one Remote Controller is required to control and monitor all the units connected to the System Controller
- Pump control allows for a pump(s) to be connected and controlled with built-in timer and aquastat features
- Auxillary back up allows for continued system operation during partial failure conditions.
- Can be wall mounted indoors or outdoors with use of the included hardware



SC-401-6M-EXT

System Controller

- 6-Unit System Controller (#SC-401-6M-EXT)

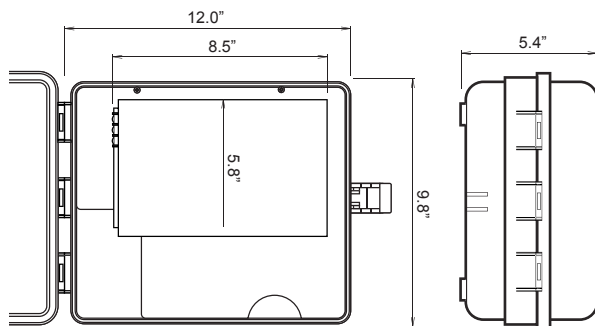
Compatible with Commercial Models

- NC199 DVC (GQ-2857WZ-FFA US)
- NC199 OD (GQ-2857WZ- US)

Compatible Remote Controller

- RC-9018M

Dimensions



Example Installation

