

Tankless Water Heater Accessories

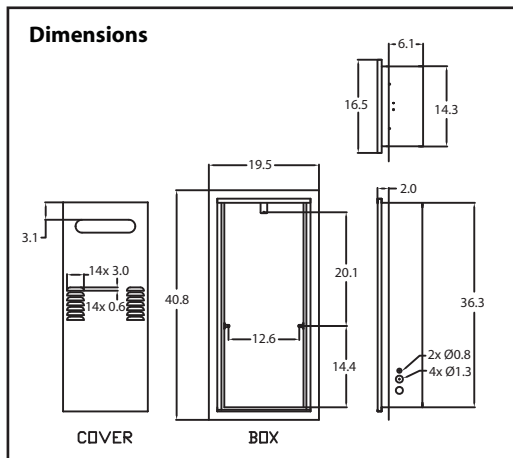
Specification Sheet

RB-500F Recess Box

(For Model NR50-OD, N-0531S-OD, and NR66-OD)



- Made of powder coated steel for use with outdoor (-OD) models
- Outdoor installation eliminates venting while creating a clean installation
- Installing outdoors will provide more square footage within a home
- CSA-approved design that is designed to be mounted in a wall cavity and rated for zero clearance to combustibles*
- Standard version also available



Recess Box Models

Recess Box with Flange (#RB-500F)

Standard Version (#RB-500)

• For Outdoor Models

NR50-OD
NR66-OD
N-0531S-OD

**This accessory is rated for zero clearance to combustibles. In order to perform necessary maintenance on the water heater, 2' of clearance is recommended from the front of the recess box.*

