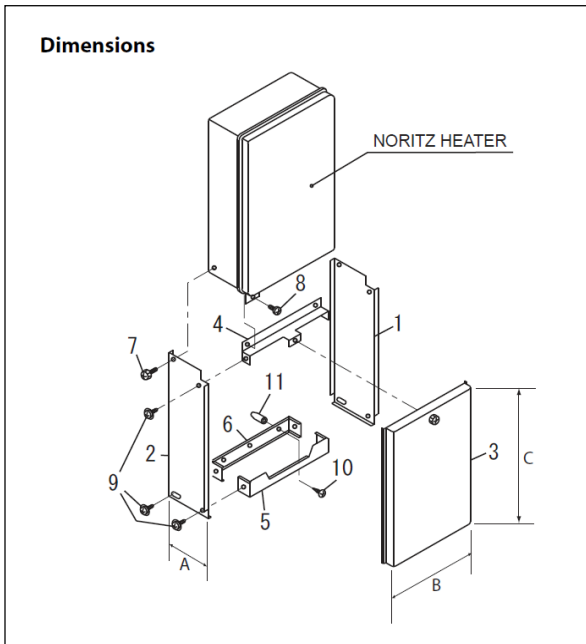


Tankless Water Heater Accessories

Specification Sheet

Pipe Cover

- Made of durable powder coated steel (or stainless steel for selected models)
- Conceals the piping underneath the water heater to provide a cleaner installation
- Compatible with all water heater models and requires light assembly



| PIPE COVER PART # | COMPATIBLE MODEL |
|-------------------|--|
| PC-1S | NR50 OD, NR66 OD, NRC66 DV/OD, NRC71 DV/OD |
| PC-2S | NR83 DVC/OD, NR98 SV/OD |
| PC-2S-GRY | NC199 OD |
| PC-3S | NRC98 DV/OD, NRC111 DV/OD |
| PC-3S-SUS | NCC199 DV/OD |
| PC-4S-SUS | NC380 SV |
| PC-5S | NR98 DVC |
| PC-5S-GRY | NC199 DVC |
| PC-6S | NCC199CDV |
| PC-7S | NCC300 DV/OD |

| | | PIPE COVER MODEL | | | | | | | | | | | | | |
|--------|----------------------|------------------|--------------------|-------|--------------------|---------------|--------------------|-------|--------------------|-------|--------------------|-------|--------------------|-------|--------------------|
| | | PC-1S | | PC-2S | | PC-3S (-SUS)* | | PC-4S | | PC-5S | | PC-6S | | PC-7S | |
| PART # | PART NAME | QTY | | QTY | | QTY | | QTY | | QTY | | QTY | | QTY | |
| 1 | Left Side | 1 | | 1 | | 1 | | 1 | | 1 | | 1 | | 1 | |
| 2 | Right Side | 1 | A:6.0" | 1 | A:8.7" | 1 | A:8.7" | 1 | A:11.8" | 1 | A:9.6" | 1 | A:13.0" | 1 | A:14.4" |
| 3 | Front | 1 | B:13.3" C:17.5" | 1 | B:13.3" C:17.5" | 1 | B:17.8" C:17.5" | 1 | B:18.3" C:17.5" | 1 | B:13.3" C:17.5" | 1 | B:18.5" C:17.1" | 1 | B:19.1" C:22.4" |
| 4 | Top Bracket | 1 | | 1 | | 1 | | 1 | | 1 | | 1 | | 1 | |
| 5 | Bottom Front Bracket | 1 | | 1 | | 1 | | 1 | | 1 | | 1 | | 1 | |
| 6 | Bottom Back Bracket | 1 | | 1 | | 1 | | 1 | | 1 | | 1 | | 1 | |
| 7 | Panel Screw | 2 | | 2 | | 2 | | 2 | | 2 | | 2 | | 2 | |
| 8 | Truss Screw Small | 2 | | 2 | | 2 | | 2 | | 2 | | 0 | | 2 | |
| 9 | Tapping Screw | 6 | | 6 | | 6 | | 8 | | 6 | | 10 | | 8 | |
| 10 | Screw | 2 | | 2 | | 2 | | 0 | | 2 | | 2 | | 2 | |
| 11 | Wall Anchor | 2 | | 2 | | 2 | | 0 | | 2 | | 2 | | 2 | |

*-SUS denotes Stainless Steel version of the Pipe Cover