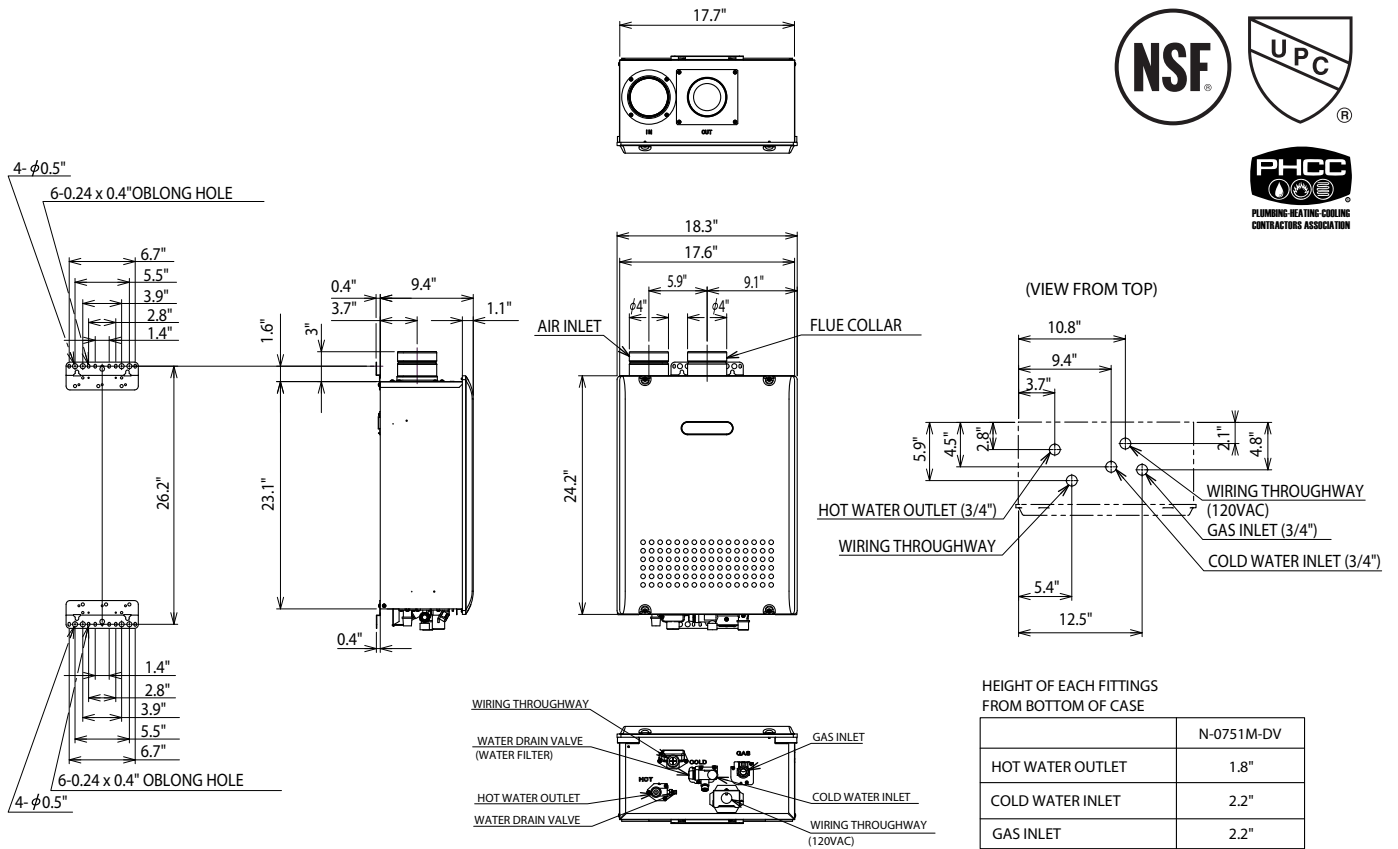


Model N-0751M-DV Tankless Water Heater

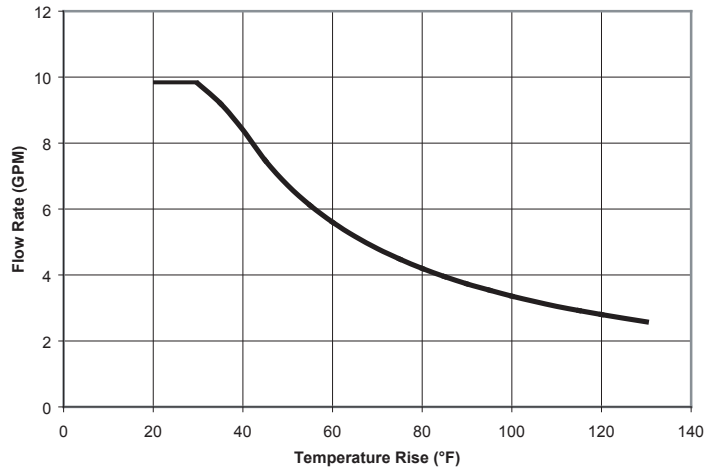


* This model is eligible for the Federal tax credit of up to 30% of the water heater and installation costs (up to \$1,500) when installed in a residence between 1/1/2009 through 12/31/2010.

Item	Specification
Model Name	N-0751M-DV
Type	Installation
	Air Supply/Exhaust
Ignition	Direct Ignition
Operating Water Pressure	15 - 150 PSI
Minimum Flow Rate	0.5 GPM
Gas Supply Pressure	NG : 4.0" - 10.5" LP : 8.0" - 14.0"
Dimensions	24.2"(Height) x 18.3"(Width) x 9.4"(Depth)
Weight	54 (pounds)
Water Holding Capacity	0.2 Gallon
Connection Sizes	Water Inlet
	Hot Water Outlet
	Gas Inlet
Power	Supply
	Consumption
Material	Casing
	Flue Collar
	Heat Exchanger
Safety Devices	Flame Rod, Thermal Fuse, Lightning Protection Device (ZNR), Overheat Prevention Device, Freezing Prevention Device, Fan Rotation Detector
Included Accessories	Remote Controller, Remote Controller Cord, Anchoring Screws
Optional Accessories	Isolation Valves (#IK-WV-4), Pipe Cover (#PC-2S), ScaleShield (#SS-HB-1), Quick-Connect Cable (#QC-1M)

Model N-0751M-DV Product Performance

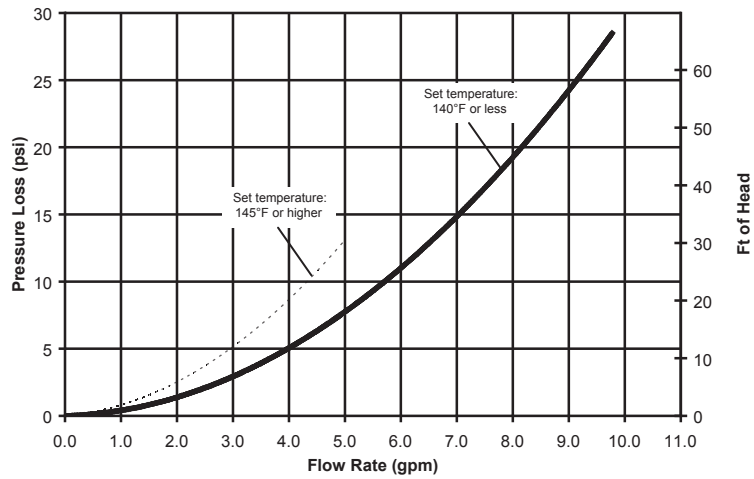
Flow Rates



Temperature Rise (°F)	20	30	40	45	50	60	70	80	90	100	110	120	130
Flow Rate (GPM)	9.8	9.8	8.4	7.5	6.7	5.6	4.8	4.2	3.7	3.4	3.1	2.8	2.6

*For peak flow rates in shaded areas, contact Noritz for proper setting.

Pressure Loss



Item		Maximum Performance	Minimum Performance
Gas Consumption	NG	199,900 btuh	12,000 btuh
	LP	199,900 btuh	12,000 btuh
Thermal Efficiency		84%	
Energy Factor		NG: 0.83 LP: 0.82	
Hot Water Capacity	35°F Rise	9.2 Gal/min.	
	45°F Rise	7.5 Gal/min.	
	77°F Rise	4.4 Gal/min.	
	100°F Rise	3.4 Gal/min.	
Capacity Range		0.5 - 9.8 Gal/min.	
Temperature Settings		100-150°F (In 5°F intervals) ,160, 170, 180°F (14 Options)	
Default Temperature Options		120, 130, 140, 180°F (Default is 120°F)	
Features		Quick-Connect (2 units), Pump Control, Temperature Lockout, High Elevation Adjustment	
Warranty		12/5- Residential, 3/5- Commercial or Circulation Use	
Approvals		CSA, UPC, NSF, Low NOx Approved By SCAQMD, Suitable for Installation in a Manufactured (Mobile) Home	

Noritz America reserves the right to discontinue, or change at any time, the designs and/or specifications of its products without notice.