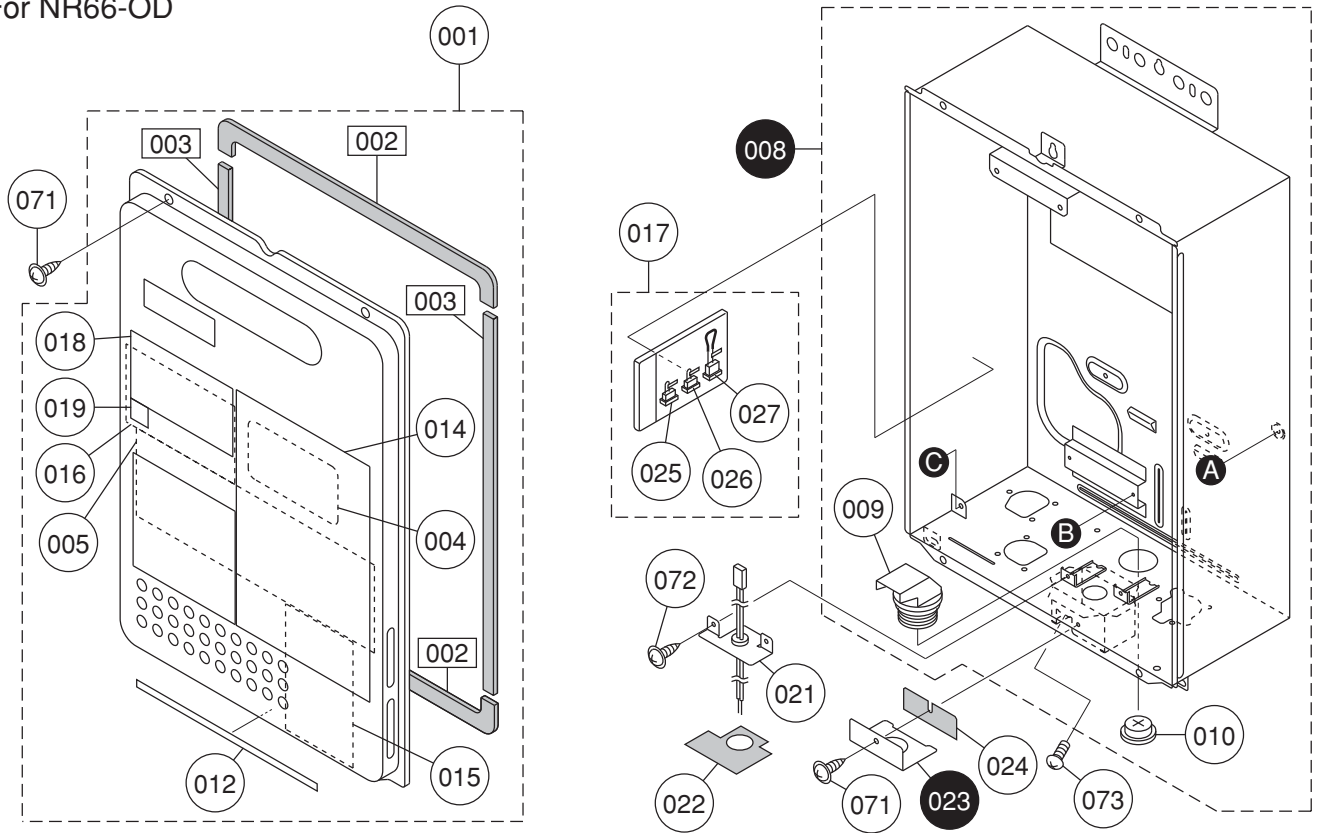
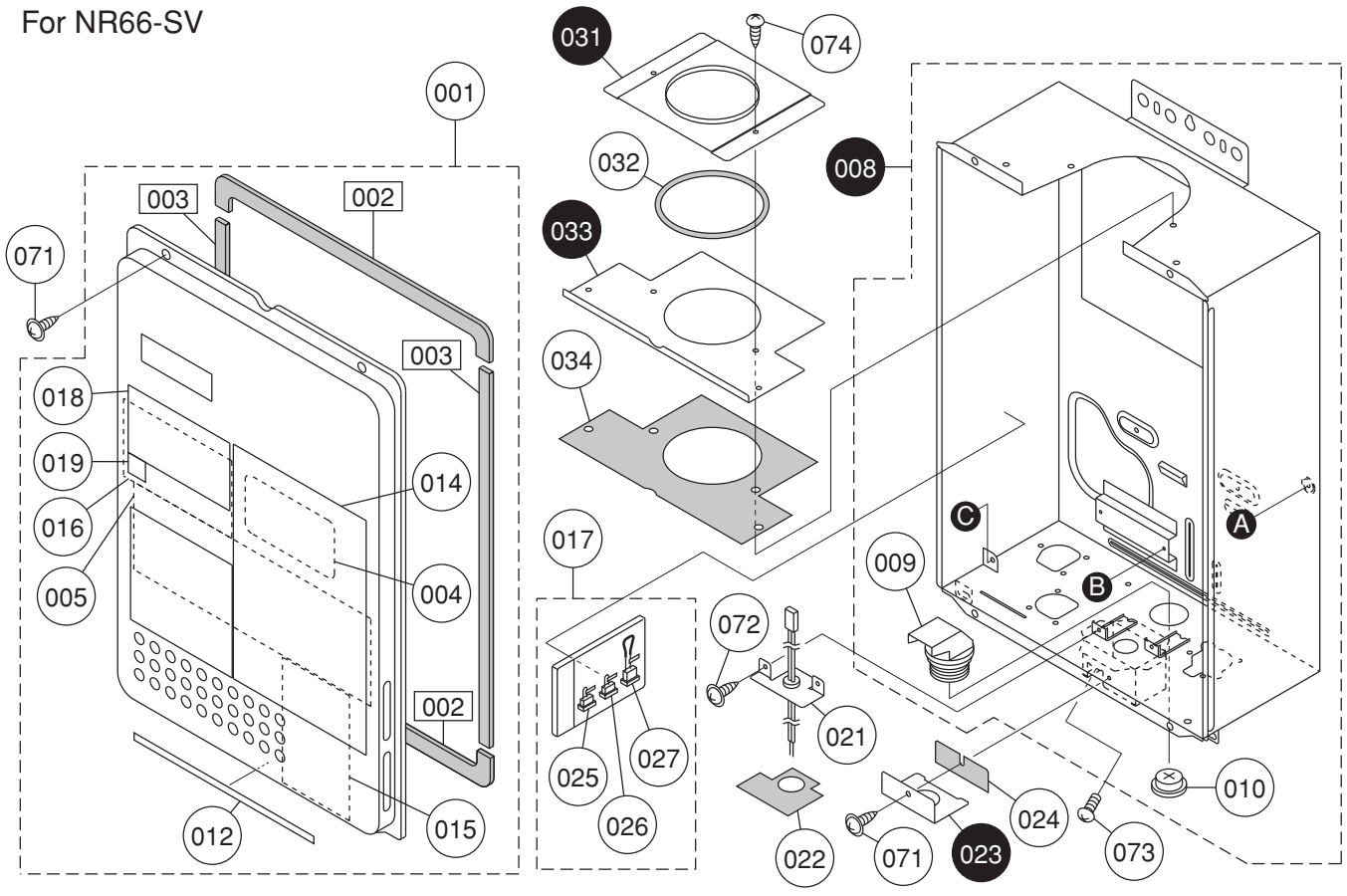


External outfitting NR66-OD,NR66-SV

For NR66-OD



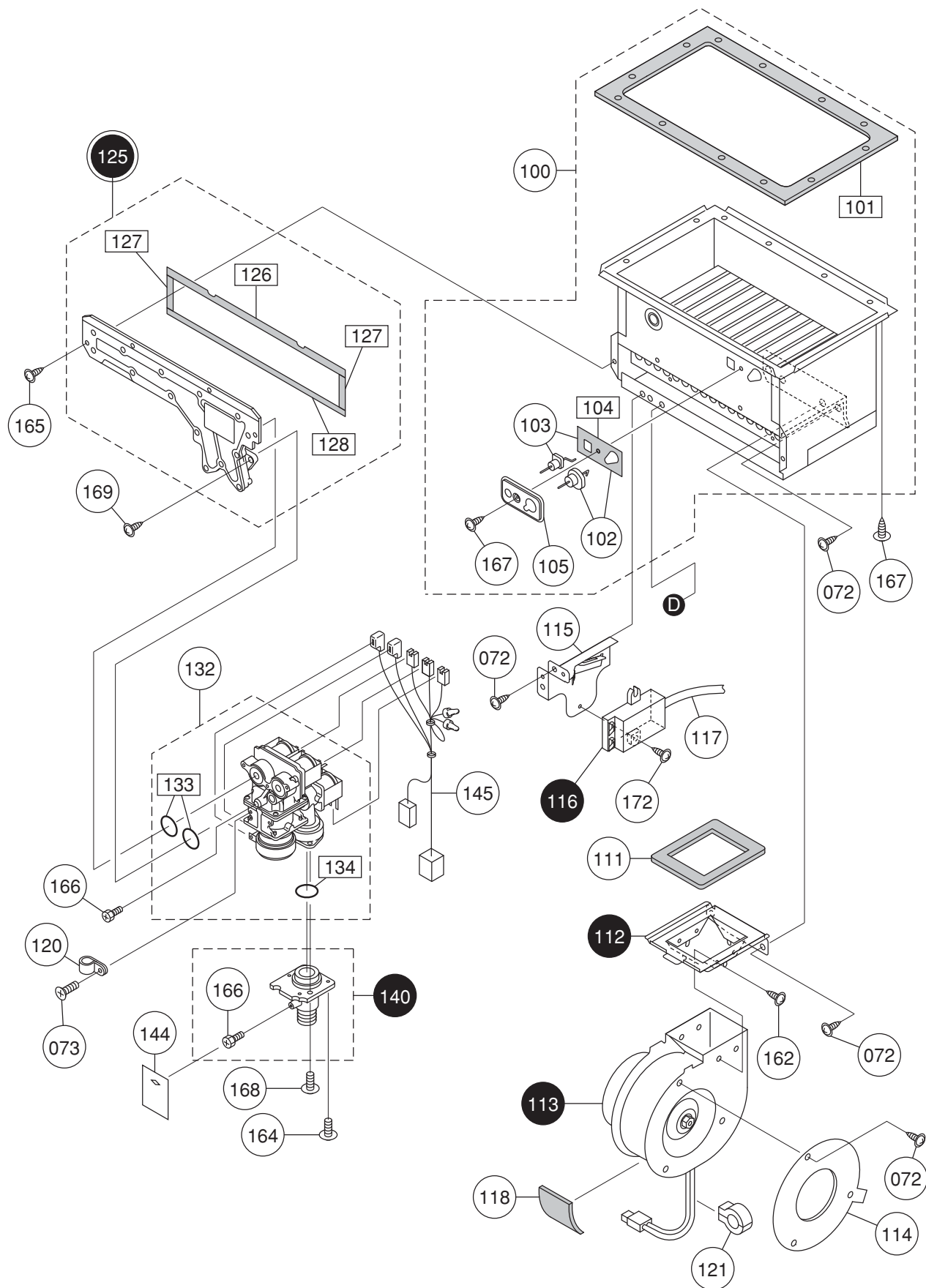
For NR66-SV



External outfitting NR66-OD,NR66-SV

| Part Nos. | Part Names | Order Nos. | Q'ty/unit |
|-----------|--|--------------------|--------------------------|
| 001 | NR66-OD Front set-AS NR66-SV Front set-AS | SKF7388 SKF7389 | 1<NR66-OD> 1<NR66-SV> |
| 002 | Front packing 1 EAA | EAAL002 | 2 |
| 003 | Front packing L AAP | AAPL017 | 2 |
| 004 | Plug insulation sheet DKE | DKEK001 | 1 |
| 005 | Connection diagram label ESC | ESCK005 | 1 |
| 008 | Case SET W ENW Case SET H ENW | ENWA011 ENWA001 | 1<NR66-OD> 1<NR66-SV> |
| 009 | Wiring coupling CZL | CZLA010 | 1 |
| 010 | Grommet CXP | CXPA026 | 1 |
| 012 | Piping label EDL | EDLK002 | 1 |
| 014 | Caution label ENG ELV | ELVK003 | 1 |
| 015 | Caution label CA1 EHU | EHUK008 | 1 |
| 016 | Caution label CA2 EHU | EHUK009 | 1 |
| 017 | Parts list sheet set ESF | ESFK001 | 1 |
| 018 | Rating plate 2 OD(W) ELV Rating plate 2 H ELV | ELVK009 ELVK004 | 1<NR66-OD> 1<NR66-SV> |
| 019 | Energy star mark label ENJ | ENJK071 | 1 |
| 021 | Junction box top set ENW | ENWA016 | 1 |
| 022 | Junction box packing ENW | ENWL003 | 1 |
| 023 | Junction box cover (SUS ENJ | ENJA015 | 1 |
| 024 | Junction box cover packing ENW | ENWL005 | 1 |
| 025 | Bridge 130 EMW | EMWJ020 | 1 |
| 026 | Bridge 140 EMW | EMWJ021 | 1 |
| 027 | Bridge 160 EMW | EMWJ022 | 1 |
| 031 | Case top cover 2 ENW | ENWA009 | 1<NR66-SV> |
| 032 | Exhaust cylinder packing EBN | EBNL002 | 1<NR66-SV> |
| 033 | Case top cover 1 ENW | ENWA008 | 1<NR66-SV> |
| 034 | Case top packing ENW | ENWL001 | 1<NR66-SV> |
| | | | |
| 071 | Cross recessed truss type3 EVERTIGHT tapping screw with PW 4X12 | | |
| 072 | Cross recessed round-head collar N-tapping screw 4X8 | | |
| 073 | Cross recessed truss machine screw M4X8 | | |
| 074 | Cross & straight recessed truss type3 S TIGHT tapping screw 4X10 | | <NR66-SV> |
| | | | |
| | | | |
| | | | |
| | | | |

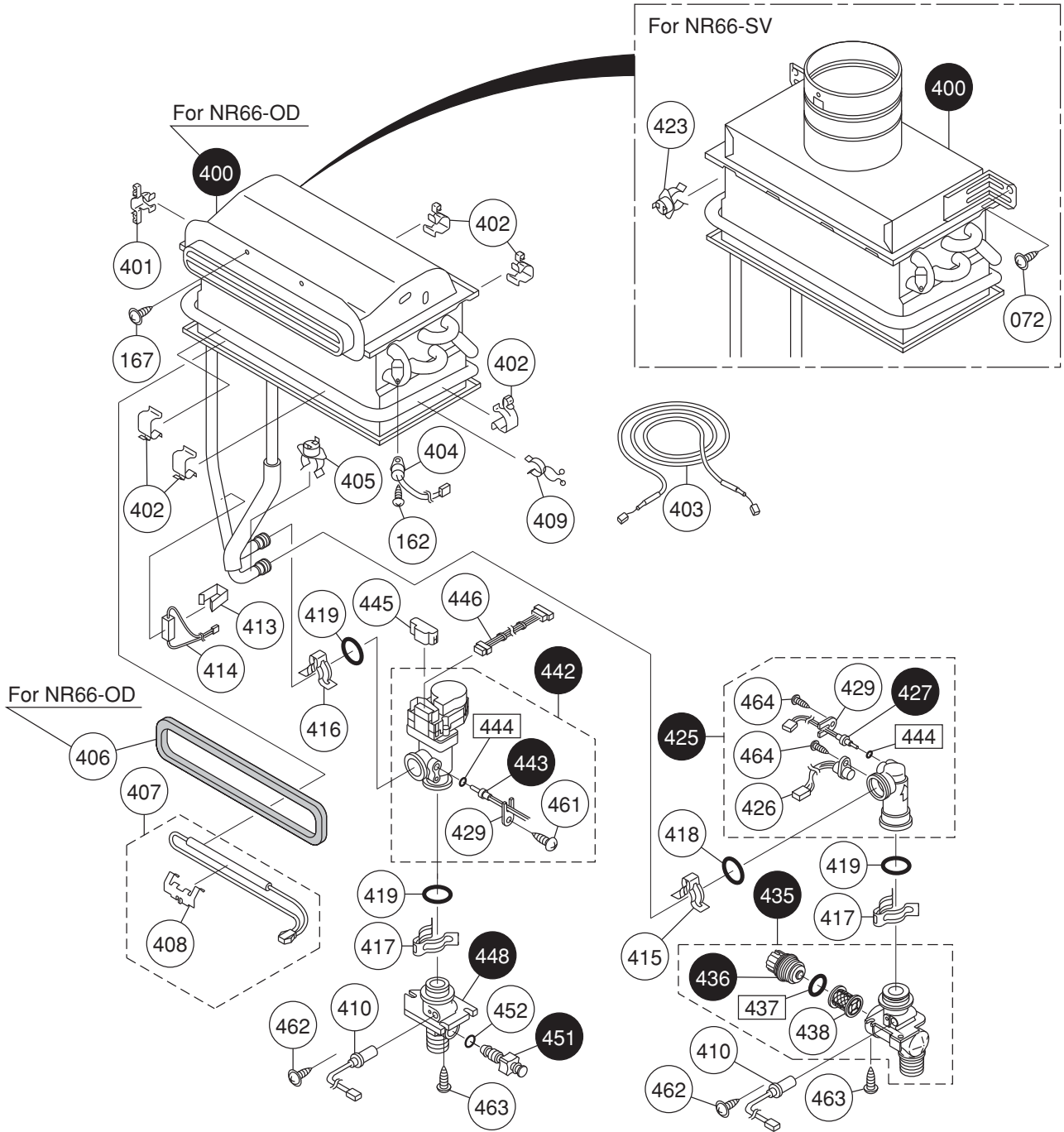
Combustion unit and gas route NR66-OD, NR66-SV



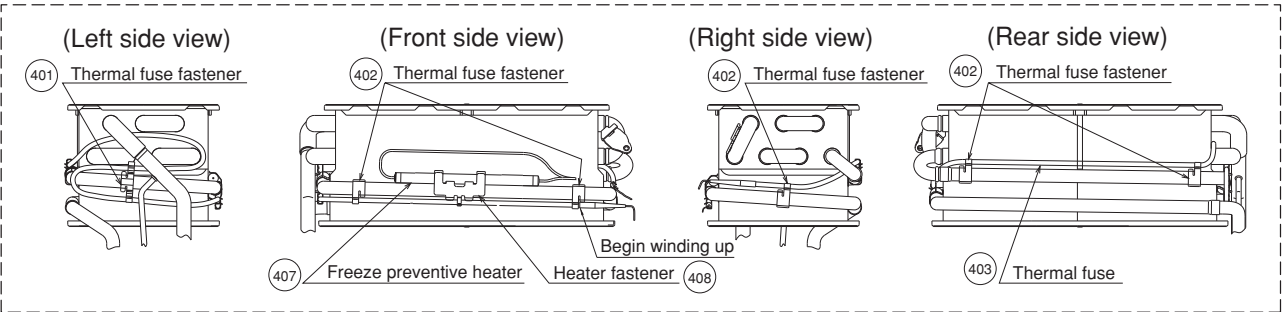
Combustion unit and gas route NR66-OD, NR66-SV

| Part Nos. | Part Names | Order Nos. | Q'ty/unit |
|-----------|--|------------|------------|
| 100 | Combustion tube set ENW SET-V | SKD7179 | 1 |
| 101 | Suction air joint packing-N DSS | DSSL021 | 1 |
| 102 | Ignition plug CZL & packing DLK SET-V | SBC7684 | 1 |
| 103 | Flame rod & packing DLK SET-V | SBC7685 | 1 |
| 104 | Plug packing (for B) DLK | SAB2715 | 1 |
| 105 | Plug mounting plate (for B) DLK | DLKC029 | 1 |
| 111 | Fan packing Q DTJ | DTJL004 | 1 |
| 112 | Fan flange DTJ | DTJF035 | 1 |
| 113 | Fan moter DTJ SET-AS(INT) | SKC7549 | 1 |
| 114 | Bell-mouth ϕ 48 DTJ | DTJF042 | 1<NR66-OD> |
| | Bell-mouth ϕ 40 DTJ | DTJF043 | 1<NR66-SV> |
| 115 | Mounting plate for igniter DTJ | DTJA015 | 1 |
| 116 | Igniter CRP | CRPJ002 | 1 |
| 117 | High-voltage cord L350 ALS | ALSJ079 | 1 |
| 118 | Conduit guard packing DTJ | DTJL010 | 1 |
| 120 | Nylon clamp HP-4N (NK-4N) | 7287909 | 1 |
| 121 | Ferrite core EGH | EGHJ022 | 1 |
| 125 | Manifold L15 DSS SET-AS | SBC7688 | 1<LP> |
| | Manifold L22 DSS SET-AS | SKB7712 | 1<NG> |
| 126 | Manifold seal packing top DSS | DSSL005 | 1 |
| 127 | Manifold seal packing side DTJ | DTJL007 | 2 |
| 128 | Manifold seal packing bottom DSS | DSSL006 | 1 |
| 132 | Gas mech. S16D EDN SET-V | SBE7833 | 1 |
| 133 | O-ring P18 | 2110903 | 2 |
| 134 | O-ring P28 | 1648306 | 1 |
| 140 | Gas fitting 3/4NPT SET DTJ | DTJE725 | 1 |
| 144 | Gas fitting label ELV | ELVK005 | 1 |
| 145 | Conduit R10SET EMW | EMWJ006 | 1 |
| | | | |
| 162 | Cross recessed round-head N-tapping screw 4X8 | | |
| 164 | Cross recessed truss machine screw with PW M4X12 | | |
| 165 | Cross recessed round-head type3 EVERTIGHT tapping screw 5X16 | | |
| 166 | Cross recessed hexagon head machine screw M4X8 | | |
| 167 | Cross recessed round-head collar N-tapping screw 4X10 | | |
| 168 | Cross recessed round-head machine screw M5X12 | | |
| 169 | Cross recessed round-head SPAKmachine screw with guide M4X14 | | |
| 172 | Cross recessed round-head collar N-tapping screw 4X12 | | |
| | | | |
| | | | |
| | | | |

Hot-water feed route NR66-OD, NR66-SV



(Thermal fuse rounding procedure)



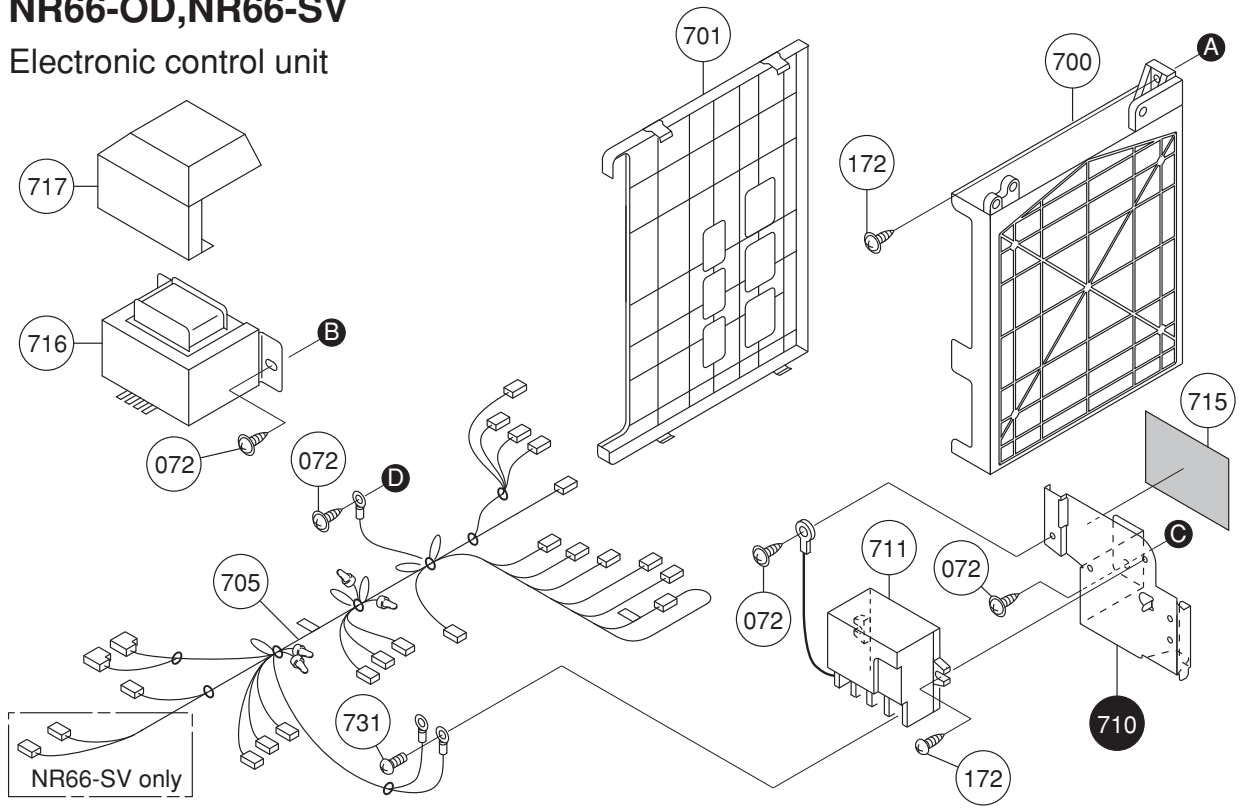
Hot-water feed route NR66-OD,NR66-SV

| Part Nos. | Part Names | Order Nos. | Q'ty/unit |
|-----------|---|------------|------------|
| 400 | Heat exchanger & Exhaust box EKE SET-AS | SKA7243 | 1<NR66-OD> |
| | Heat exchanger & Exhaust box H ENW SET-AS | SKD7183 | 1<NR66-SV> |
| 401 | Thermal fuse fastener CZL | CZLH005 | 1 |
| 402 | Thermal fuse fastener DTJ | DTJH002 | 5 |
| 403 | Thermal fuse Q DSS SETV(INT) | SKE7485 | 1 |
| 404 | Remaining flame safety device 94 ELV | ELVH002 | 1 |
| 405 | Thermostat SET DJP | DJPH003 | 1 |
| 406 | Front exhaust packing DJP | DJPL007 | 1<NR66-OD> |
| 407 | Freeze preventive heater CRP SET-V | SKC7548 | 1 |
| 408 | Heater fastener EHK | EHKH001 | 1 |
| 409 | Harness clip HGK | HGKL015 | 1 |
| 410 | Freeze preventive heater 3 BGD | BGDH002 | 2 |
| 413 | Heater fastener M AJB | AJBL002 | 1 |
| 414 | Freeze preventive heater 2 BGD | BGDH005 | 1 |
| 415 | Quick fastener 13-22 | SAD6537 | 1 |
| 416 | Quick fastener 16-25 | SAD6593 | 1 |
| 417 | Quick fastener 16A | 6340300 | 2 |
| 418 | Chlorinated water-resistant O-ring P12.5 | 3359808 | 1 |
| 419 | Chlorinated water-resistant O-ring P16 | 3223302 | 3 |
| 423 | Thermostat BVU | BVUH002 | 1<NR66-SV> |
| 425 | Water flow sensor set 3 DUV | DUVD019 | 1 |
| 426 | Water outlet magnetic sensor BWC | BWCD090 | 1 |
| 427 | Water inlet thermistor-300 BWC | BWCD097 | 1 |
| 429 | Thermistor holding plate ALS | ALSD088 | 2 |
| 435 | Water inlet fitting 20A set EHV | EHVD001 | 1 |
| 436 | Water filter cover DTJ | DTJD006 | 1 |
| 437 | O-ring 16DF BRQ | BRQL008 | 1 |
| 438 | Water filter (SUS) EGB | EGBD032 | 1 |
| 442 | Water flow servo set EBA | EBAD007 | 1 |
| 443 | Hot-water thermistor-300 BWC | BWCD096 | 1 |
| 444 | Chlorinated water-resistant O-ring P4 | 1323709 | 2 |
| 445 | Waterproof cover CZL | CZLD041 | 1 |
| 446 | Conduit 86 DTJ | DTJJ006 | 1 |
| 448 | Hot-water outlet fitting 20A EHU | EHUD004 | 1 |
| 451 | Drain cock CRU | CRUD003 | 1 |
| 452 | Hot-water resistant O-ring P3 | SAD6633 | 1 |
| | | | |
| 461 | Cross recessed round-head P TIGHT screw 4X10 | | |
| 462 | Cross & straight recessed truss type3 S TIGHT tapping screw 4X6 | | |
| 463 | Cross recessed round-head collar type3 EVERTIGHT tapping screw 4X12 | | |
| 464 | Cross recessed round-head P TIGHT screw 4X10 | | |
| | | | |

Electronic control unit, Remote controller and Attached set

NR66-OD, NR66-SV

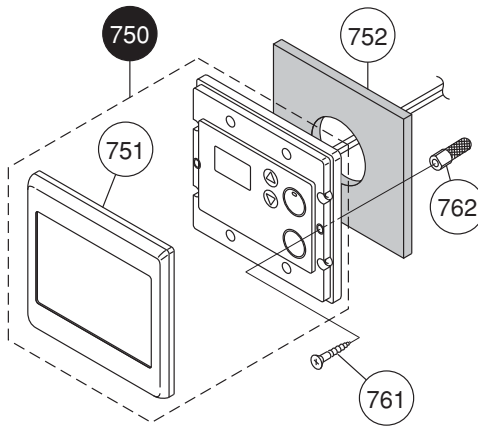
Electronic control unit



Optional

Remote controller RC-7649M-USA

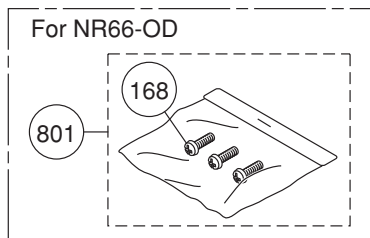
(Temperature: °F Expression
Water Volume: Gallon Expression



RC-7650M-ENG (For Canada)

Temperature: °C Expression
Water Volume: Liter Expression

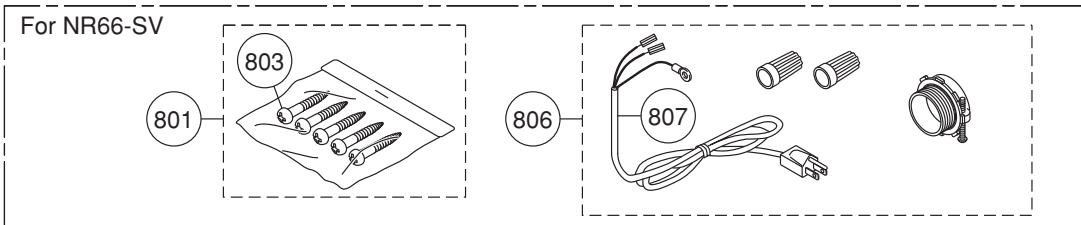
Attached set



<Special part>

| Special part | Special part no. |
|---------------------|------------------|
| Owner's guide | 888 |
| Installation manual | 889 |

※ To request a French version of the Owner's guide or Installation manual, contact Noritz America.



Electronic control unit, Remote controller and Attached set NR66-OD,NR66-SV

| Part Nos. | Part Names | Order Nos. | Q'ty/unit |
|-----------|---|------------|---------------|
| 700 | Relay case EMW-A SET-AS | SHA7958 | 1 |
| 701 | Relay case cover EJB | EJB003 | 1 |
| 705 | Harness 20W ENW | ENWJ012 | 1<NR66-OD> |
| | Harness 20H ENW | ENWJ002 | 1<NR66-SV> |
| 710 | Current leakage safety device fixing set DTJ | DTJA017 | 1 |
| 711 | Lightning protection ELV | ELVJ101 | 1 |
| 715 | Waterproof cover DTJ | DTJL009 | 1 |
| 716 | Transformer EDN | EDNJ006 | 1 |
| 717 | Transformer cover DJP | DJPA054 | 1 |
| | | | |
| 731 | Cross recessed bind machine screw M3.5X6 | | |
| 750 | RC-7649M body USA QME | QMEJ007 | 1 |
| | RC-7650M body ENG QXU | QXUJ003 | 1<For Canada> |
| 751 | M Dressed frame body QME | QMEA003 | 1 |
| 752 | Wall packing QHU | QHUA115 | 1 |
| 761 | Cross recessed round wood screw 4.1X25 | | |
| 762 | Oar plug 6X25 | | |
| | | | |
| 800 | N-0531S packing set V | SKD7182 | 1 |
| | Gas type label LP for packaging ESC | ESCK008 | 1<LP> |
| 801 | PS3 Screw SET | SAB2286 | 1<NR66-OD> |
| | Screw SET(W) | SAB2753 | 1<NR66-SV> |
| 803 | Cross recessed round-head type 1 tapping screw 5X35 | | <NR66-SV> |
| 806 | Power supply cord US SET ESC | ESCM001 | 1<NR66-SV> |
| 807 | Power cord ESC | ESCJ001 | 1<NR66-SV> |
| 888 | Owner's guide GQ2037/2437WS US | SBA8344 | 1 |
| 889 | Installation manual GQ2037/2437WS US | SBA8345 | 1 |
| | | | |
| | | | |