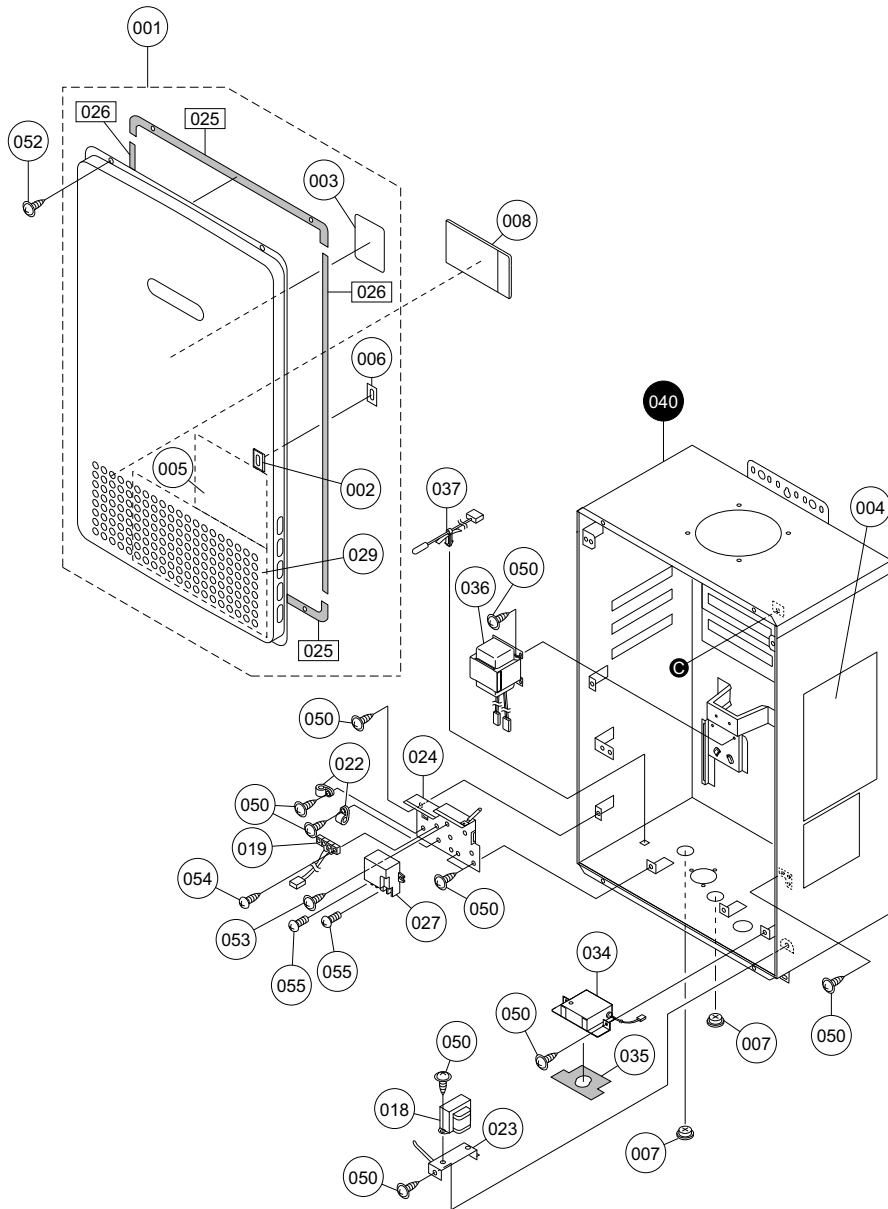


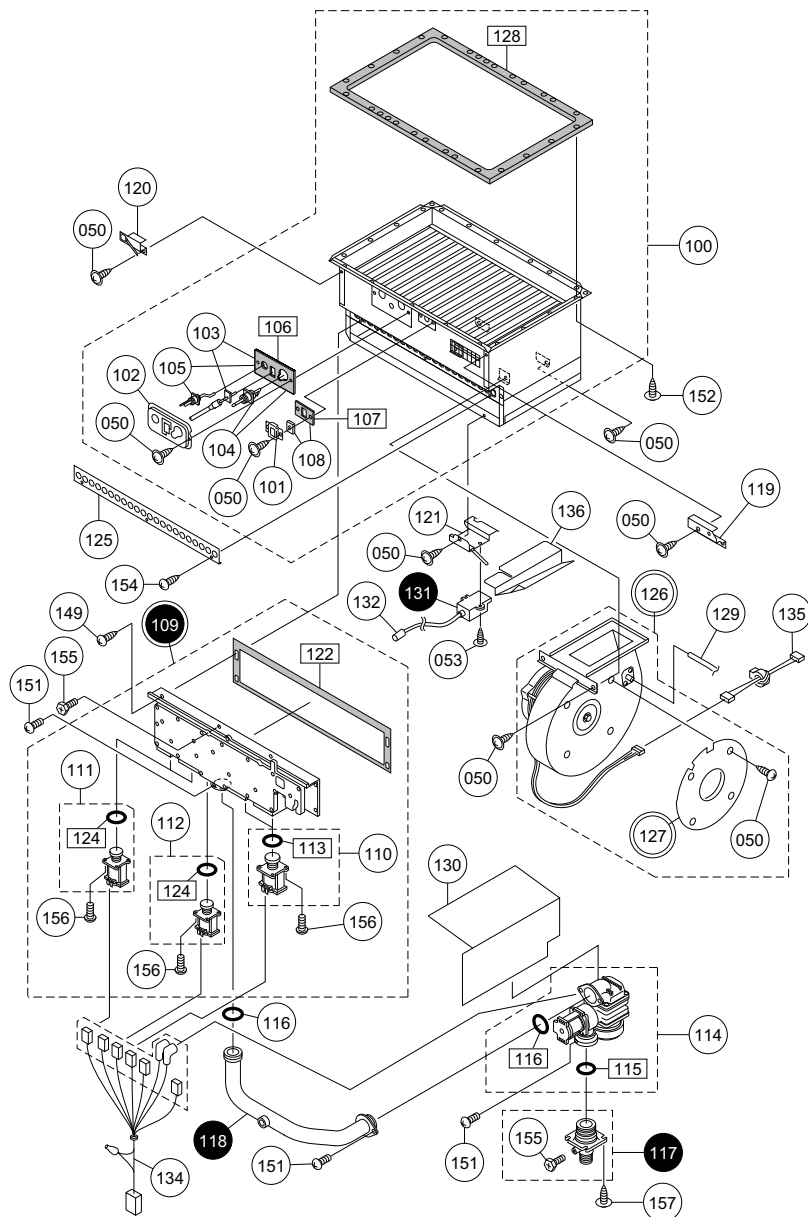
External outfitting N-1321M-ASME



External outfitting N-1321M-ASME

| Part Nos. | Part Names | Order Nos. | Q'ty/unit |
|-----------|---|------------|-----------|
| 001 | N1321M-ASME Front-A SET-AS | SKD7176 | 1 |
| 002 | Lamp seal plate ENK | ENKK002 | 1 |
| 003 | Plug insulation sheet CRU | CRUK002 | 1 |
| 004 | Caution label ENG ELV | ELVK003 | 1 |
| 005 | Caution label FRE ELV | ELVK006 | 1 |
| 006 | Raintight seal plate BUB | BUBK004 | 1 |
| 007 | Grommet CXP | CXPA026 | 2 |
| 008 | Parts list label set ENK | ENKK031 | 1 |
| 018 | Reactor DMA | DMAJ015 | 1 |
| 019 | Conduit 90-2 CCP | CCPJ028 | 1 |
| 022 | Nylon clamp HP-4N (NK-4N) | 7287909 | 2 |
| 023 | Mounting plate for reactor DMA | DMAA019 | 1 |
| 024 | Mounting plate for current leakage safety device DUV | DUVA016 | 1 |
| 025 | Front packing H CMN | CMNL013 | 2 |
| 026 | Front packing V CMN | CMNL014 | 2 |
| 027 | Current leakage safety device DTJ | DTJJ015 | 1 |
| 029 | Connection diagram label EJH | EJHK002 | 1 |
| 034 | Junction box set EMW | EMWA014 | 1 |
| 035 | Junction box packing EMW | EMWL002 | 1 |
| 036 | Transformer EAU | EAUJ011 | 1 |
| 037 | Air thermistor BWC | BWCH003 | 1 |
| 040 | Case SET ENK | ENKA001 | 1 |
| 050 | Cross recessed round-head collar N-tapping screw 4X8 | | |
| 052 | Cross recessed truss type3 EVERTIGHT tapping screw with PW 4X12 | | |
| 053 | Cross recessed round-head collar N-tapping screw 4X12 | | |
| 054 | Cross recessed round-head N-tapping screw 4X12 | | |
| 055 | Cross recessed bind machine screw M3.5X6 | | |

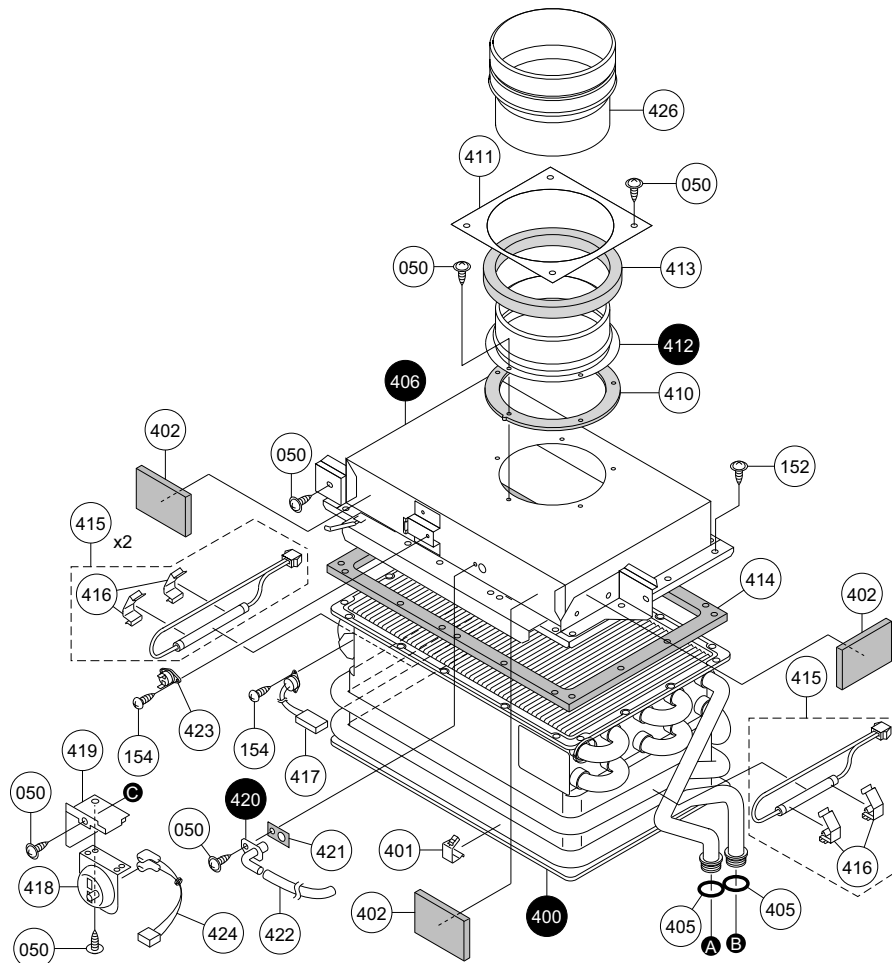
Combustion unit and gas route N-1321M-ASME



Combustion unit and gas route N-1321M-ASME

| Part Nos. | Part Names | Order Nos. | Q'ty/unit |
|-----------|---|------------|-----------|
| 100 | Combustion tube set DUV SET-V | SBC7549 | 1 |
| 101 | Window glass holding plate AAA | AAAC027 | 1 |
| 102 | Plug fixing plate(for N) DLK | DLKC009 | 1 |
| 103 | Burner sensor DLK SET-V | SBA7505 | 1 |
| 104 | Ignition plug & packing DLKL SET-V | SBN7223 | 1 |
| 105 | Flame rod DLK SET-V | SBA7506 | 1 |
| 106 | Plug packing(for N) DLK | DLKL012 | 1 |
| 107 | Window glass packing CRU | CRUL005 | 1 |
| 108 | Window glassA packing CRUSET-V | SAQ7345 | 1 |
| 109 | Manifold set T17 EJH SET-AS | SBP7392 | 1<LPG> |
| | Manifold set T27 EJH SET-AS | SBP7393 | 1<NGA> |
| 110 | Solenoid S24L CRU-1 SET-V | SBB7173 | 2 |
| 111 | Solenoid S16 CRU SET-V | SBB7213 | 2 |
| 112 | Solenoid S09L DTJ JASO SETV | SBC7744 | 1 |
| 113 | O-ring JASO 2037 type 1A | SAA6476 | 2 |
| 114 | Gas mech. S24DQ CRP SET-V | SAQ7708 | 1 |
| 115 | O-ring JASO 2028A | 8590109 | 1 |
| 116 | O-ring P25.5 | SAB1512 | 2 |
| 117 | Gas fitting 20A set EAU | EAUE001 | 1 |
| 118 | Gas pipe set EAU | EAUE007 | 1 |
| 119 | Fixing plate for burner case,right DMA | DMAA021 | 1 |
| 120 | Fixing plate for burner case,left DMA | DMAA022 | 1 |
| 121 | Mounting plate for igniter DMA | DMAA016 | 1 |
| 122 | Manifold packing ENK | ENKL001 | 1 |
| 124 | O-ring JASO 2030 type 1 | SAA6044 | 3 |
| 125 | Main damper 8 DMA | DMAC032 | 1 |
| 126 | Fan motor SET φ56 DMB | DMBF025 | 1<LPG> |
| | Fan motor SET φ52 EAU | EAUF002 | 1<NGA> |
| 127 | Bell-mouthφ56 CKB | CKBF021 | 1<LPG> |
| | Bell-mouthφ52 CKB | CKBF023 | 1<NGA> |
| 128 | Suction air joint packing DMA | DMAL001 | 1 |
| 129 | Silicone tube ID6XT2X650 BVH | BVHF007 | 1 |
| 130 | Gas mech. Cover DMA | DMAA025 | 1 |
| 131 | Igniter CRP | CRPJ002 | 1 |
| 132 | High-voltage cord 470 | SAC1229 | 1 |
| 134 | Conduit R10 EAU | EAUJ020 | 1 |
| 135 | Conduit 27 DMA | DMAJ013 | 1 |
| 136 | Waterproof cover EHA | EHA010 | 1 |
| 149 | Cross recessed round-head type3 EVERTIGHT tapping screw 5X16 | | |
| 151 | Cross recessed round-head machine screw M4X8 | | |
| 152 | Cross recessed round-head collar N-tapping screw 4X10 | | |
| 154 | Cross recessed round-head N-tapping screw 4X8 | | |
| 155 | Cross recessed hexagon head machine screw M4X8 | | |
| 156 | Cross recessed round-head SPAKmachine screw with guide M4X12 | | |
| 157 | Cross recessed round-head collar type3 EVERTIGHT tapping screw 4X12 | | |

Hot-water feed route-1 N-1321M-ASME



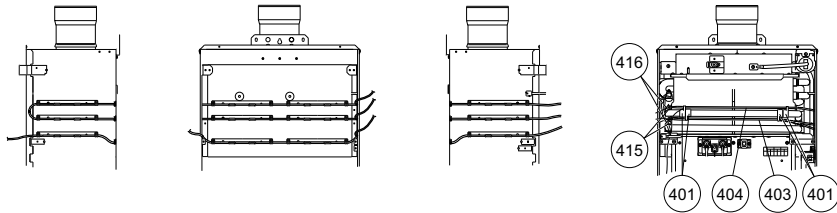
Thermal Fuse Connection procedure

(Left side view)

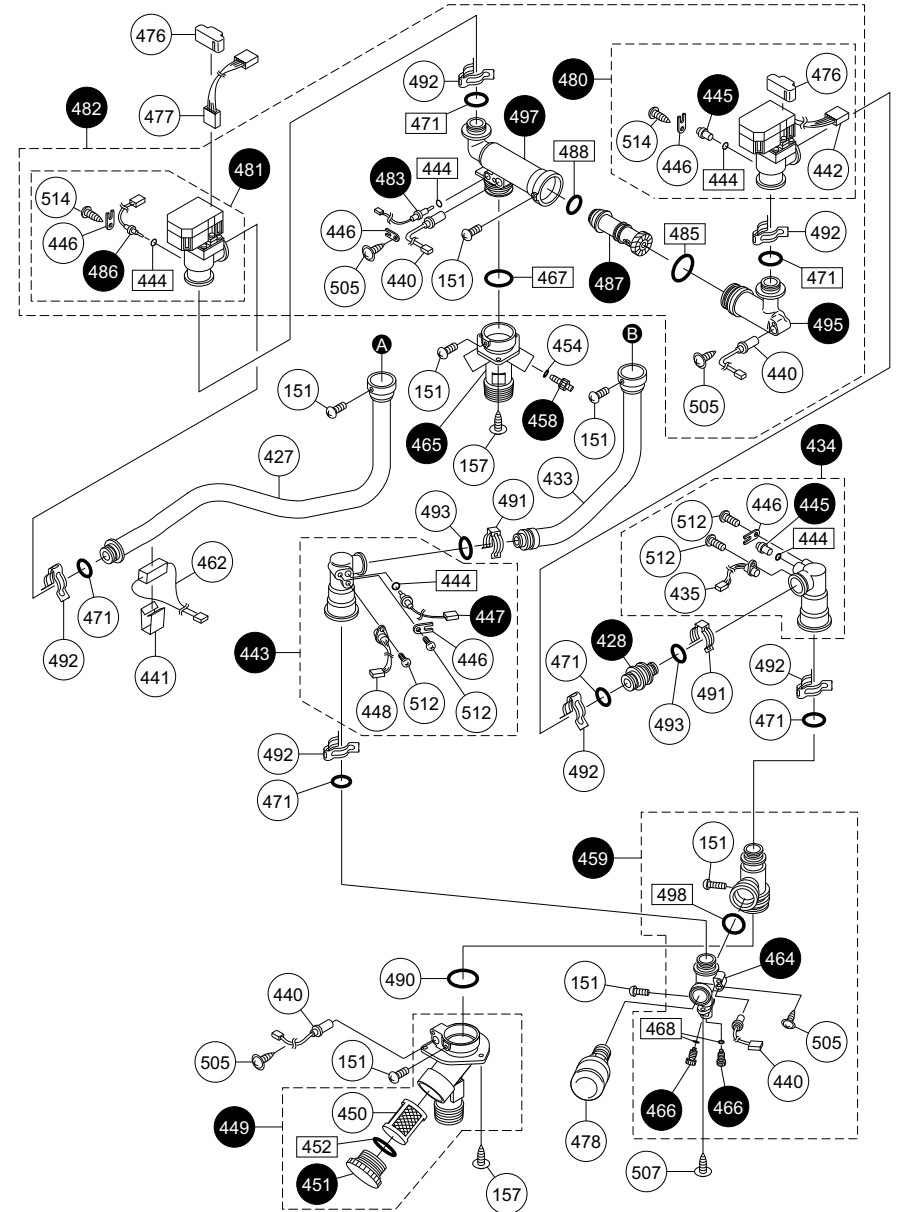
(Case rear)

(Right side view)

(Front view)



Hot-water feed route-2 N-1321M-ASME



Hot-water feed route-1 N-1321M-ASME

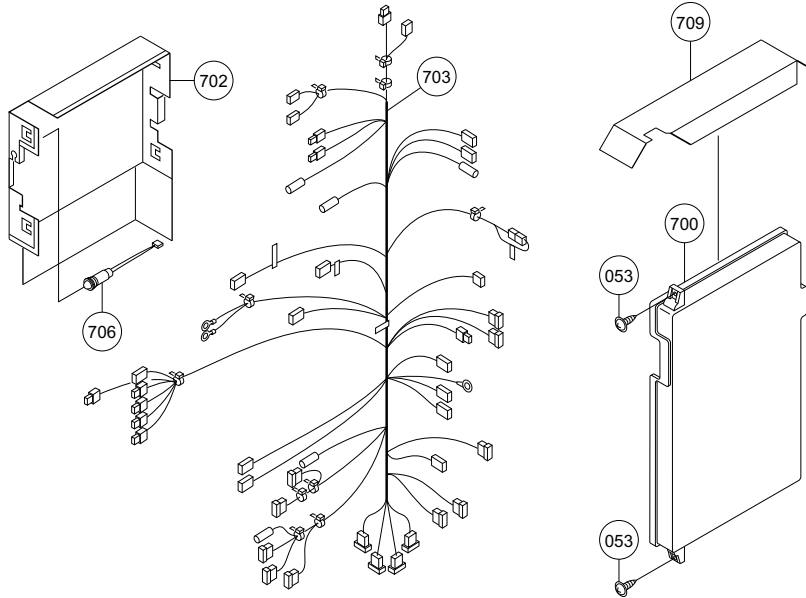
| Part Nos. | Part Names | Order Nos. | Q'ty/unit |
|-----------|--|------------|-----------|
| 400 | Heat exchanger SET ELR SET-AS | SKB7098 | 1 |
| 401 | Thermal fuse fastener DMA | DMAH002 | 4 |
| 402 | Heat insulator DMB | DMBL004 | 3 |
| 403 | Thermal fuse DFE 1 SET-V | SBA7650 | 1 |
| 404 | Thermal fuse DMA SET-V | SBA7536 | 1 |
| 405 | O-ring P20C | 3059502 | 2 |
| 406 | Exhaust box set DMB | DMBF001 | 1 |
| 410 | Exhaust cylinder packing DMB | DMBL002 | 1 |
| 411 | Case top cover DMB | DMBA006 | 1 |
| 412 | Exhaust cylinder set DMB | DMBF002 | 1 |
| 413 | Top cover packing DMB | DMBL001 | 1 |
| 414 | Exhaust joint packing DMA | DMAL002 | 1 |
| 415 | Freeze preventive heater CRP 1 SET-V | SBC7676 | 3 |
| 416 | Heater fastener DMA | DMAH003 | 6 |
| 417 | Remaining flame safety device 94 ELV | ELVH002 | 1 |
| 418 | FFL wind pressure switch | 1735705 | 1 |
| 419 | Mouting plate for wind pressure switch DMB | DMBA010 | 1 |
| 420 | Pressure sampling pipe DGG | DGGF011 | 1 |
| 421 | Pressure sampling pipe packing CPL | CPLF029 | 1 |
| 422 | Silicone tube ID6XT2X210BVH | BVHF009 | 1 |
| 423 | Thermostat BHV | BHVH002 | 1 |
| 424 | Wind pressure switch relay cord EAW | EAWJ005 | 1 |
| 426 | Exhust adapter EJJ | EJJH001 | 1 |
| 427 | Hot-water feed pipe ELR | ELRD003 | 1 |
| 428 | Bypass coupling EHA | EHAD014 | 1 |
| 433 | Water inlet pipe ELR | ELRD001 | 1 |
| 434 | Water flow sensor set 1 DUV | DUVD017 | 1 |
| 435 | Magnetic sensor BWC | BWCD093 | 1 |
| 440 | Freeze preventive heater 3 BGD | BGDH002 | 4 |
| 441 | Heater fastener LL CPL | CPLL002 | 1 |
| 442 | Servo motor cable conduit (86) DZT | DZTJ009 | 1 |
| 443 | Water flow sensor set 3 DUV | DUVD019 | 1 |
| 444 | O-ring P4C | 1323709 | 5 |
| 445 | Shut-off cock AXG | AXGD089 | 2 |
| 446 | Thermistor holding plate ALS | ALSD088 | 5 |
| 447 | Water inlet thermistor-300 BWC | BWCD097 | 1 |
| 448 | Water outlet magnetic sensor BWC | BWCD090 | 1 |
| 449 | Water inlet fitting 25A set EAU | EAUD001 | 1 |
| 450 | Water inlet filter CCP | CCPD031 | 1 |
| 451 | Water inlet fitting cover DMA | DMAD037 | 1 |
| 452 | O-ring JASO 2030 type4 C | SAB4190 | 1 |
| 454 | Hot-water resistant O-ring P3 | SAD6633 | 1 |
| 458 | Drain cock CRU | CRUD003 | 1 |
| 459 | Branching fitting set EHA | EHAD012 | 1 |
| 462 | Freeze preventive heater 2 BGD | BGDH005 | 1 |
| 464 | Drain coupling EHA | EHAD013 | 1 |
| 465 | Hot-water outlet fitting EJJ | EJJH001 | 1 |
| 466 | QMF safety valve A(S) | SAA2811 | 2 |
| 467 | O-ring P24C | 1322109 | 1 |
| 468 | Hot-water resistant O-ring P9 | SAD6635 | 2 |
| 471 | O-ring P16C | 3223302 | 6 |
| 476 | Waterproof cover CZL | CZLD041 | 2 |
| 477 | Conduit 86 DZT | DZTJ008 | 1 |
| 478 | Accumulator set DLW | DLWD001 | 1 |
| 480 | Water flow servo set 1 DZT | SBH9490 | 1 |

Hot-water feed route-2 N-1321M-ASME

| Part Nos. | Part Names | Order Nos. | Q'ty/unit |
|-----------|---|------------|-----------|
| 481 | Water flow servo set 2 DZT | SBH9491 | 1 |
| 482 | Mixing mechanism set EHA | EHAD008 | 1 |
| 483 | Hot-water thermistor-300 BWC | BWCD096 | 1 |
| 485 | O-ring JASO 2026 type4 C | SAA6483 | 1 |
| 486 | Heat exchanger thermistor-300 BWC | BWCD098 | 1 |
| 487 | Mixing cylinder DMA | DMAD016 | 1 |
| 488 | O-ring P18C | 2308401 | 1 |
| 490 | O-ring P28C | 1155105 | 1 |
| 491 | Quick fastener 12.7 | 6340202 | 2 |
| 492 | Quick fastener 16A | 6340300 | 6 |
| 493 | O-ring P12.5C | 3359808 | 2 |
| 495 | Mixing coupling EHA | EHAD011 | 1 |
| 497 | Mixing body EHA | EHAD010 | 1 |
| 498 | O-ring P22C | 7573308 | 1 |
| 505 | Cross&straight recessed round-head collar type3 S TIGHT tapping screw 4X8 | | |
| 507 | Cross&straight recessed truss type3 S TIGHT tapping screw with PW 4X8 | | |
| 512 | Cross recessed round-head P TIGHT screw 4X10 | | |
| 514 | Cross recessed round-head P TIGHT screw 4X10 | | |

Electronic control unit, Remote controller and Attached set N-1321M-ASME

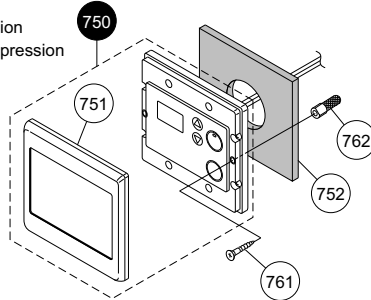
Electronic control unit



Optional

Remote controller RC-7649M-USA

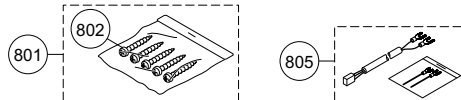
(Temperature: °F Expression
Water Volume: Gallon Expression)



RC-7650M-ENG (For Canada)

(Temperature: °C Expression
Water Volume: Liter Expression)

Attached set



<Special part>

| Special part | Special part no. |
|---------------------|------------------|
| Owner's guide | 888 |
| Installation manual | 889 |

※ To request a French version of the Owner's guide or Installation manual, contact Noritz America.

Electronic control unit, Remote controller and Attached set N-1321M-ASME

| Part Nos. | Part Names | Order Nos. | Q'ty/unit |
|-----------|---|--------------------|--------------------|
| 700 | Relay case EJH-B SET-AS Power circuit board SET2 DUV | SHA7852 DUVG102 | 1 1 |
| 702 | Relay case cover DMA | DMAA028 | 1 |
| 703 | Harness ENK | ENKJ001 | 1 |
| 706 | Lamp cable conduit CRP | CRPJ014 | 1 |
| 709 | Relay case waterproof cover DMA | DMAA026 | 1 |
| 750 | RC-7649M body USA QME RC-7650M body ENG QXU | QMEJ007 QXUJ003 | 1 1<For Canada> |
| 751 | M Dressed frame body QME | QMEA003 | 1 |
| 752 | Wall packing QHU | QHUA115 | 1 |
| 761 | Cross recessed round wood screw 4.1X25 | | |
| 762 | Oar plug 6X25 | | |
| 800 | N-1321M-ASME packing set V | SKD7162 | 1 |
| 801 | Screw SET(W) | SAB2753 | 1 |
| 802 | Cross recessed round-head type 1 tapping screw 5X35 | | |
| 805 | Remote controller cord S SET EAU | EAUM001 | 1 |
| 888 | Owner's guide N-1321M-ASME | SAR8712 | 1 |
| 889 | Installation manual N-1321M-ASME | SAR8713 | 1 |