

# NEW PRODUCT ANNOUNCEMENT

## NEW! Commercial Multi-Rack System

- Pre-fabricated racking system for commercial multi-system installations
- Can hold 2 Noritz tankless water heaters back to back and provides mounting holes for a quick and precise installation
- Provides a time and labor saving solution when installing multiple water heaters
- Manufactured with highly corrosion-resistant steel that can withstand extreme environments
- Perfect for flat rooftop or mechanical room applications

**Product:** Commercial Multi-Rack System

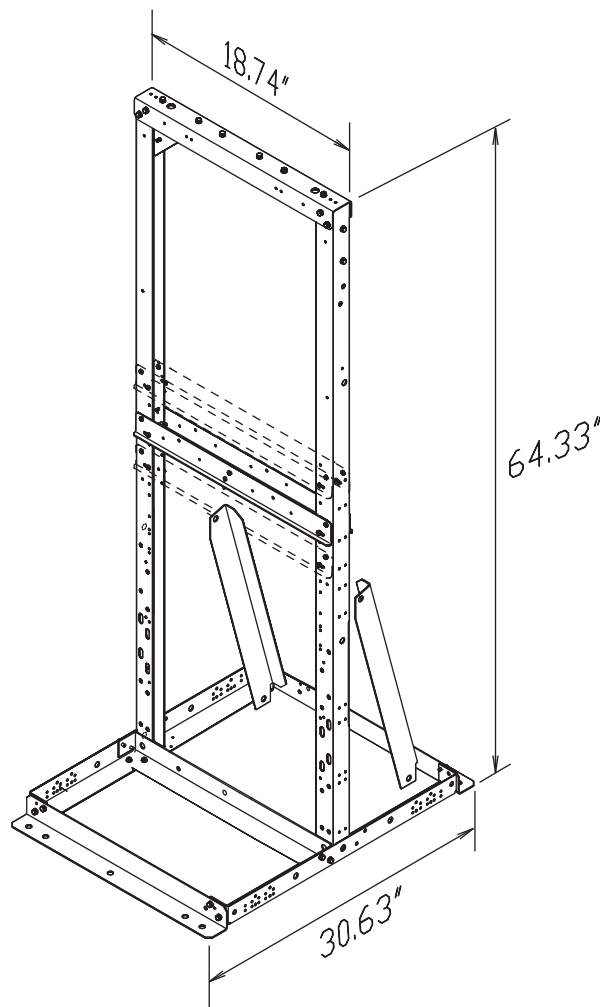
**Part #:** MR-2

**Build Time**  
5 to 10 Minutes!

## Availability: December 17, 2010

Tankless for Professionals<sup>™</sup>

## Specifications:



**Description:** Commercial Multi-Rack System (#MR-2)

**Weight:** 48.4 lbs

**Maximum Capacity:** Up to 220.5 lbs / 100.0 kgs

**Compatibility:** All Noritz Commercial Models