

# INSTALLATION INSTRUCTIONS for VK3-PVC-VAS (Vertical Adapter Set for 3" PVC Concentric Termination)

**\*Not approved for Canada**



## Warning

Failure to follow the installation instructions could cause FIRE, CARBON MONOXIDE POISONING, or DEATH.



## Caution

- It is recommended that experienced professionals familiar with the operation and maintenance of gas burning appliances and vent/air intake systems install this system. These instructions are a guide to assist a professional installer.
- Before commencing installation, please read the installation instructions carefully.
- Failure to follow the installation instructions could cause not only lower performance of the appliance but also property damage and/or personal injury.
- Please use only with Noritz condensing water heaters with a max exhaust temperature of 230°F.
- Please do not attempt to clean using any detergents which may cause deterioration.
- Examine all components for possible shipping damage prior to installation.

### 1. Kit Contents:



Fig. 1 Adapter

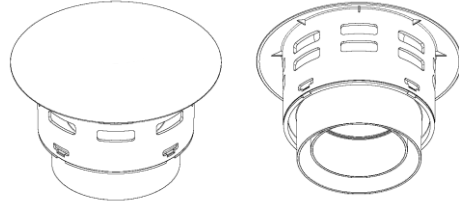


Fig. 2 Rain Cap

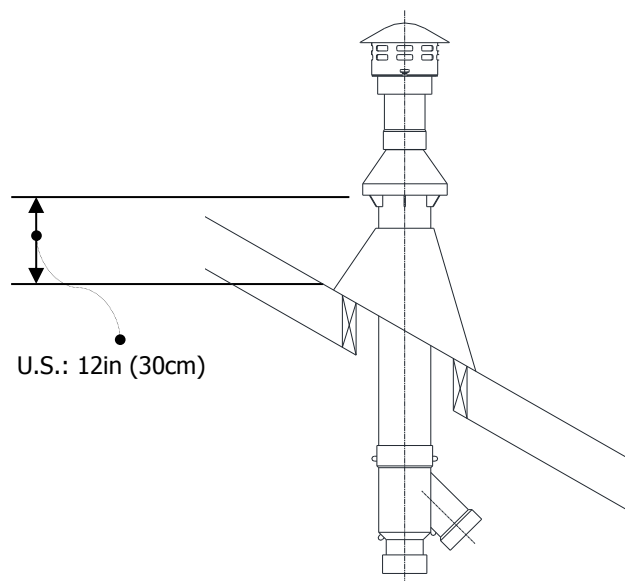
### 2. Separation Distance:

#### (1) Separation between intake and exhaust -

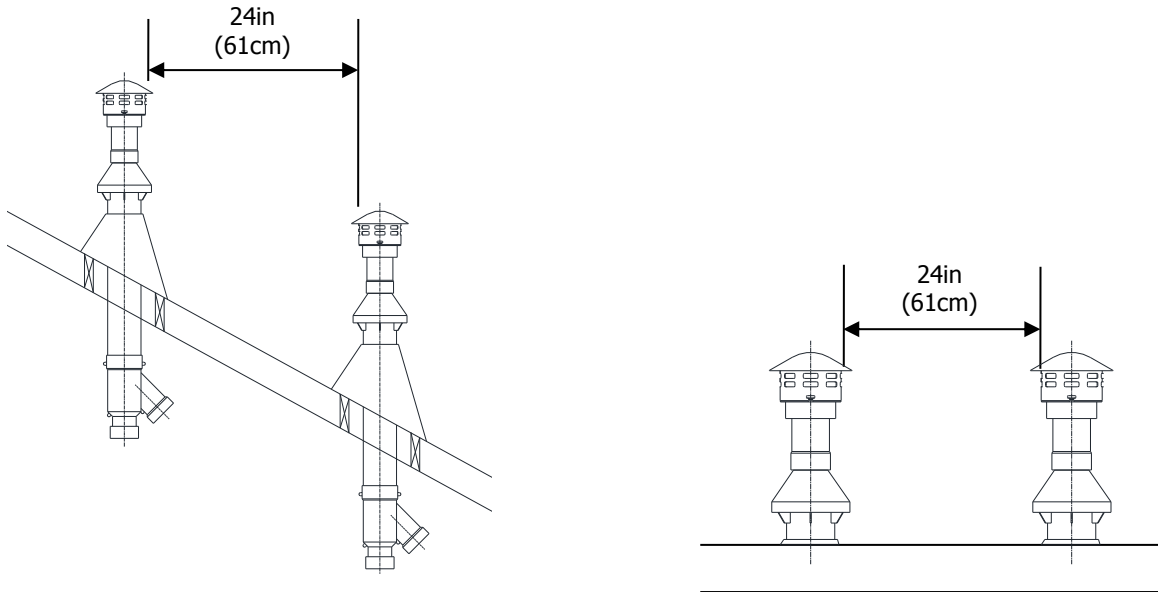
Do not cut the Adapter to ensure the proper separation distance between the VK3-H-PVC and Rain Cap.

#### (2) Separation from the roof -

Maintain 12 in  
minimum clearance  
above highest  
anticipated snow  
level, maximum of 24  
in. above roof



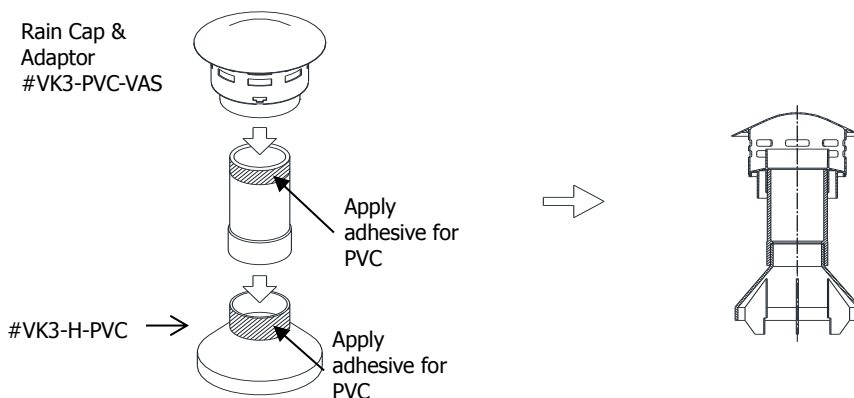
- (3) Separation between multiple vertical terminations -  
 For terminations at un-equal heights → Maintain 24 inches minimum clearance.  
 For terminations at equal heights → Maintain 24 inches minimum clearance.



3. **Installation Procedure:**

These instructions detail how to assemble the vertical adapter set together with Noritz’s concentric PVC termination for a vertically oriented application. You must also refer to the appropriate Noritz water heater installation manual (condensing models only) for additional guidelines and limitations.

- (1) Apply adhesive for PVC at the narrow side edge of the adapter.
- (2) Insert the adapter all the way into the Rain Cap before the adhesive dries.
- (3) After the adhesive dries, confirm that the components won't be uncoupled easily.
- (4) Apply adhesive for PVC at the front edge of VK3-H-PVC.
- (5) Insert VK3-H-PVC all the way into the wider side of the adapter before the adhesive dries.
- (6) After the adhesive dries, confirm that the components won't be uncoupled easily.



Contact:  
<http://support.noritz.com>  
 866-766-7489  
 NORITZ AMERICA CORPORATION  
 11160 Grace Avenue, Fountain Valley, CA 92708