



Installation Instructions for RB-2 Recess Box (For Models N-063S-OD and N-069M-OD)

1) Determine the installation location.

- The recess box should be installed so the discharge vent maintains the following clearances from building openings as shown in Figure 1:

1' below, 1' horizontally from, or
1' above any door, operable window,
or gravity air inlet into a building.
3' above any forced air inlet within 10'.

- Follow all other installation requirements as outlined in the Installation Manual.

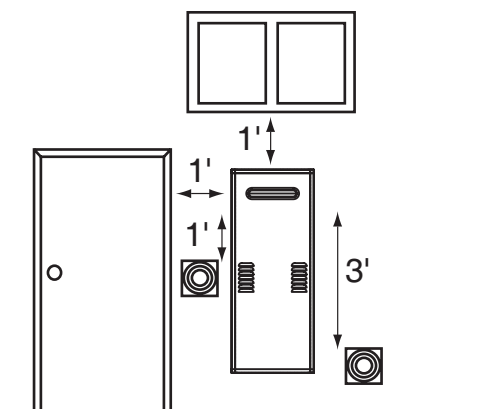


Figure 1: Termination clearances.

2) Construct the framing.

- Prepare an opening for the recess box to the following approximate dimensions:
39-1/2" (height) x 14-1/4" (width) x
10-1/4" (depth)

3) Prepare the recess box.

- Drill 3 holes in the recess box to accommodate the water and gas lines. Suggestions for the holes are shown in Figure 2. Additional holes for running the electrical and remote controller wires will be needed as well.

Note: Allow for drainage from the pressure relief valve.

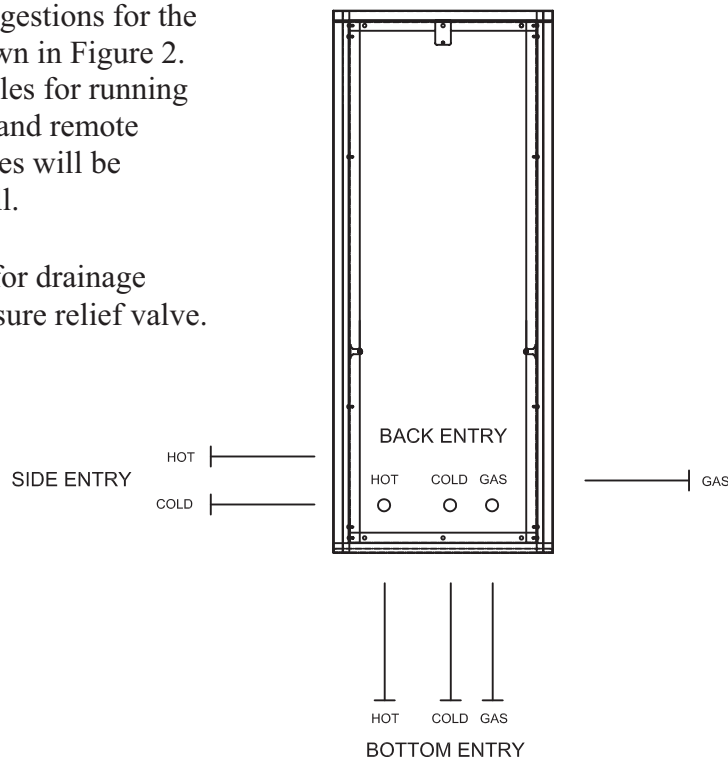


Figure 2: Piping options.

- 4) Install the recess box.
 - Attach the recess box to the framing using suitable screws on all 4 sides of the box.
- 5) Prepare the heater.
 - Remove the rear mounting bracket (see Figure 3) by removing the 2 screws securing it to the case.
- 6) Install the heater.
 - First, install one of the supplied mounting screws in the top recess box bracket leaving about 1/4" clearance between the bracket and screw.
 - Second, insert the water heater into the box by sliding the top heater bracket over the previously installed mounting screw as shown in Figure 4.
 - Finally, install the 2 remaining mounting screws in the lower recess box brackets and tighten all 3 screws to secure the heater (see Figure 5).
- 7) Make connections.
 - Connect water, gas, and electrical connections as outlined in the Installation Manual.
- 8) Seal the Recess Box.
 - Using silicone, seal around the outer and inner edges of the box as well as around any penetrations made to prevent water leakage.
- 9) Replace the Recess Box Cover.
 - After confirming the heater is operating correctly, replace the front cover of the recess box as shown in Figure 6.

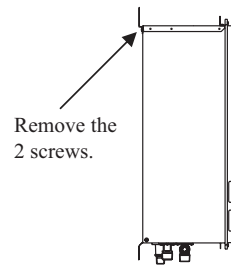


Figure 3: Rear mounting bracket.

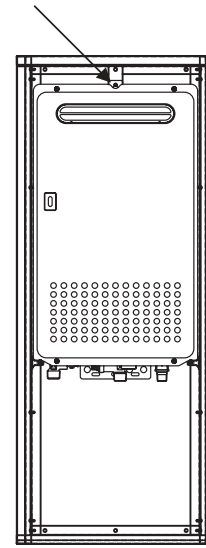


Figure 4: Location of top mounting bracket.

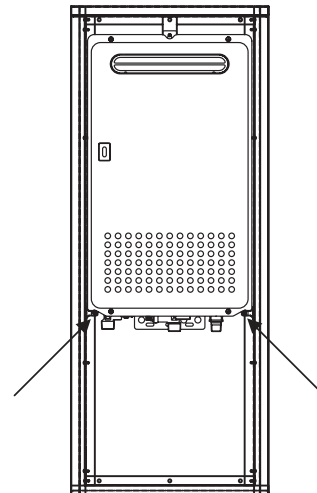


Figure 5: Location of lower mounting brackets.

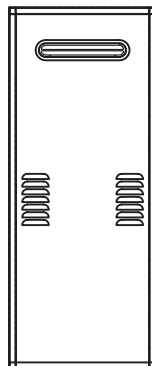


Figure 6: Completed installation.

Warning

Do not use the recess box for storage. Using the box for other than its intended use can pose a fire hazard.