

# Pipe cover

H50-K PC-7S

# Installation Manual



**Warning**

## Requests to Installers

Read this installation manual carefully, and follow the installation instructions.

## Included Accessories

Check for any missing items before starting installation.

Part No.	Part	Q'ty	Part No.	Part	Q'ty
①	Side cover (left/right)	1 each	⑥	Panel screw	2
②	Pipe front cover	1	⑦	Truss screw small	2
③	Pipe cover top	1	⑧	Tapping screw with PW	8
④	Pipe cover bottom front	1	⑨	Phillips head screw	2
⑤	Pipe cover bottom rear	1	⑩	Wall anchor	2

## Installation

Refer to the illustration below for installing the pipe covers.

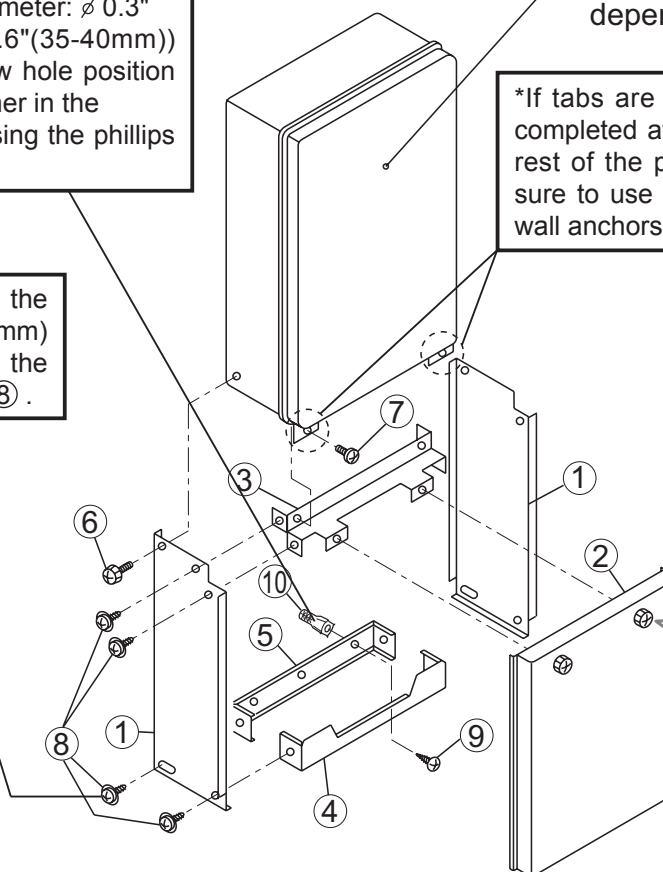
Make a hole (bottom diameter:  $\phi$  0.3" (7.2mm), depth: 1.4"-1.6" (35-40mm)) using a drill at the screw hole position on the wall. Then, hammer in the wall anchor ⑩ and fix using the phillips head screw ⑨.

When fixing to the wall, the part can be slid 0.4" (10mm) to the rear by loosening the tapping screw with PW ⑧.

Unit

The shape may differ depending on the unit.

\*If tabs are not present, the installation can still be completed after securing the pipe cover top ③ to the rest of the pipe cover. For additional support, make sure to use the provided philips head screws ⑨ and wall anchors ⑩ to secure the cover to the wall.



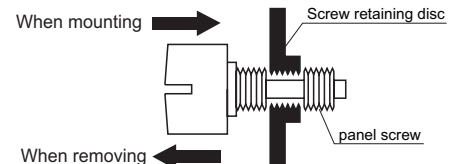
### Securely fix using panel screws.

Be sure to do

When tightening (or loosening) the panel screw, be aware of the section without thread (as illustrated below), and continue turning until secured (or removed).

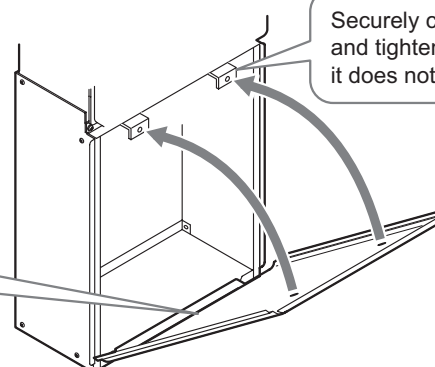
<When mounting> Turn horizontally while pressing the panel screw in.

<When removing> Turn horizontally while pulling the panel screw out.



Securely close the front cover and tighten screws so that it does not move.

Securely fit the lower section of the front cover to the bottom front section of the case.



\*SBB8137 C\*