

Installation Manual

NORITZ AMERICA CORPORATION

PIPE COVER PC-6S

Included Accessories

Check for any missing items before starting installation.

Part #	Part	Q'ty	Part #	Part	Q'ty
1	Left Side Cover	1	6	Bottom Back Bracket	1
2	Right Side Cover	1	7	Tapping Screw with PW	10
3	Front Cover	1	8	Panel Screw	2
4	Top Bracket	1	9	Wood Screw	2
5	Bottom Front Bracket	1	10	Wall Anchor	2



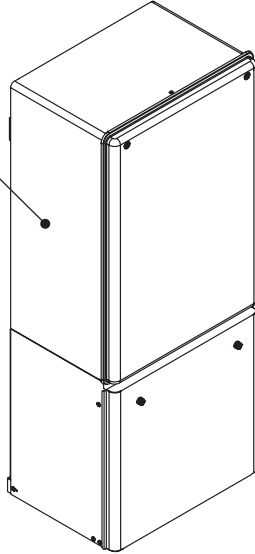
WARNING

Requests to Installers

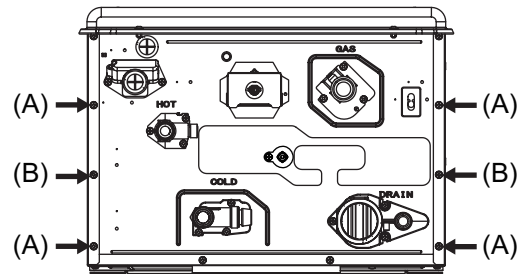
Read this Installation Manual carefully, and follow this Installation Manual.

Complete Image

Unit
The shape may differ depending on the unit



2 Remove 4 (A) Screws, and loosen 2 (B) Screws.

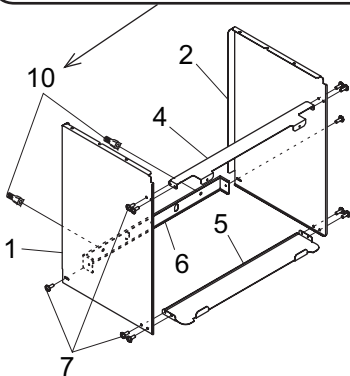


3 Insert the Pipe Cover to the clearance gap of (B) Screws. And re-secure above 6 screws. Then secure to the wall by tightening Wood Screws.

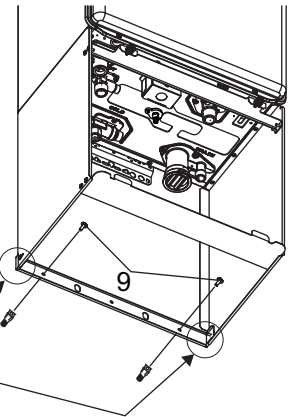
Installation

1 Assemble the Pipe Cover referring to the following illustration.

After you have carried out until STEP3
Make two holes (bottom diameter: $\varnothing 9/32$ " ($\varnothing 7.2$ mm), depth: 1.4"-1.6" (35-40mm)) using a drill at the screw hole position on the wall. Then, hammer in the Wall Anchors.



When fixing to the wall, this part can be slid 0.4" (10mm) to the rear by loosening the tapping screw.



4 Secure the Front Cover by tightening Panel Screw.

Securely fit the Front Cover to the Bottom Front Bracket

