

N-Vent SYSTEM (concentric) INSTALLATION INSTRUCTION

Horizontal extended installation (CVT-S)



warning

Failure to follow the installation instructions could cause FIRE, CARBON MONOXIDE POISONING, or DEATH.



caution

- The edges of sheet metal parts may be sharp. Always wear gloves and appropriate eye, foot, and other protections when handling these products.
- It is recommended that experienced professionals familiar with the operation and maintenance of gas burning appliances and vent/air intake system install this system. These instructions are a guide to assist a professional installer.
- Before commencing installation, please read the installation instructions carefully.
- Failure to follow the installation instructions could cause not only the lower performance of appliance but also property damage or personal injury.
- This vent system is a special stainless steel vent system for gas burning appliances, Category, II, III, IV.
- Different Manufacturers have Different Joint Systems and Adhesives. Do Not Mix Pipe, Fittings, or Joining Methods from Different Manufacturers.
- Examine all components for possible shipping damage prior to installation.

1. Make sure the label with red line on the air intake of CVT-S (termination) should be downward, so that the red line of the label can be seen from the exterior wall. (See Fig. 1)

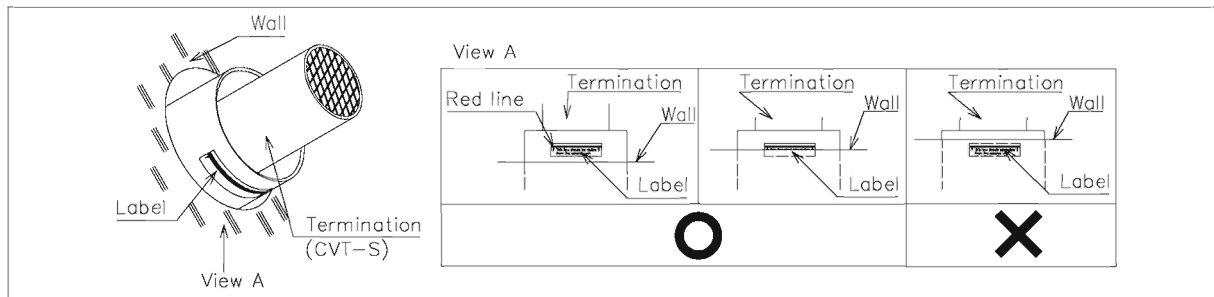


Fig.1 Position of the label with red line

2. Seal between the plate of CWF, CWF-F or CWF-90ELB and the inner wall. Seal between air intake of CVT-S (termination) and the exterior wall. (See Fig 2)
3. Attach plate (FP-5-OUT) on the outer wall with 3 appropriate screws. Make the label "UP" on the plate (FP-5-OUT) upward. Seal between plate (FP-5-OUT) and outer wall. (See Fig. 2)

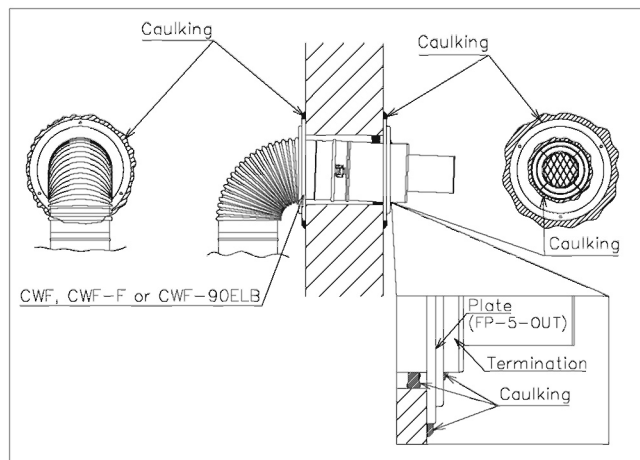


Fig.2 Horizontal extended installation