

# N-Vent SYSTEM (concentric) INSTALLATION INSTRUCTION

## Horizontal Direct Installation CVK-H/CVK-H-F, CVK-H2/CVK-H2-F



**warning**

Failure to follow the installation instructions could cause FIRE, CARBON MONOXIDE POISONING, or DEATH.



**caution**

- The edges of sheet metal parts may be sharp. Always wear gloves and appropriate eye, foot, and other protections when handling these products.
- It is recommended that experienced professionals familiar with the operation and maintenance of gas burning appliances and vent/air intake system install this system. These instructions are a guide to assist a professional installer.
- Before commencing installation, please read the installation instructions carefully.
- Failure to follow the installation instructions could cause not only the lower performance of appliance but also property damage or personal injury.
- This vent system is a special stainless steel vent system for gas burning appliances, Category, II, III, IV.
- Different Manufacturers have Different Joint Systems and Adhesives. Do Not Mix Pipe, Fittings, or Joining Methods from Different Manufacturers.
- Examine all components for possible shipping damage prior to installation.

### (1) Horizontal Installation

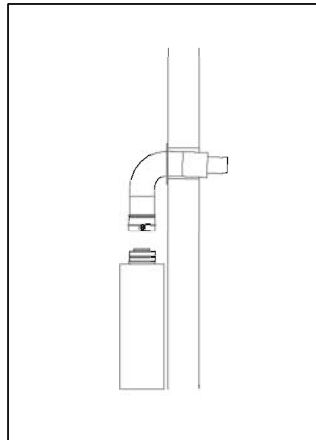


Fig.1 Horizontal direct installation (Standard Kit)

#### •Horizontal direct installation

When the termination is attached on the wall using “Standard Kit Series” and directly connected to the appliance, use Horizontal direct installation in diagram above.

### (2) Horizontal Direct Installation

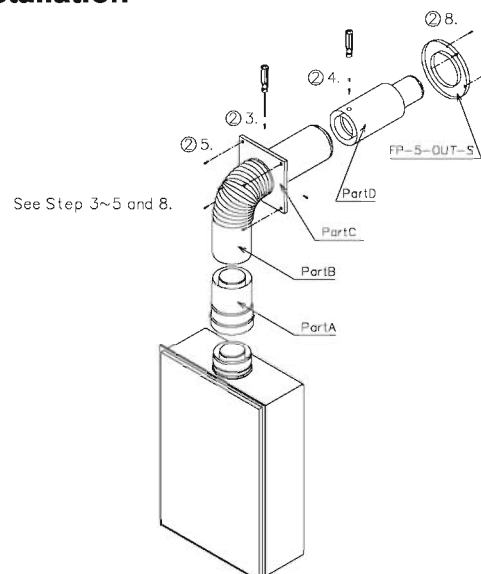


Fig.2 Details of horizontal installation

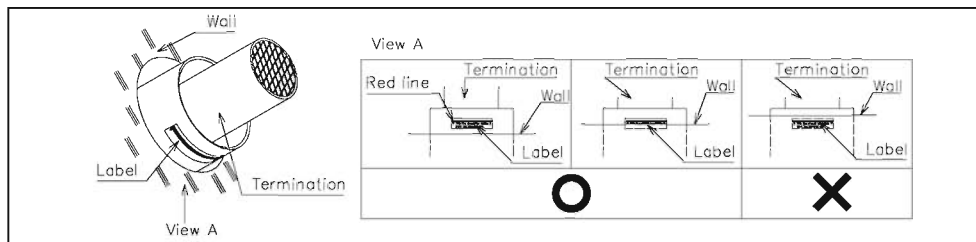


Fig.3-1 Position of the label with red line

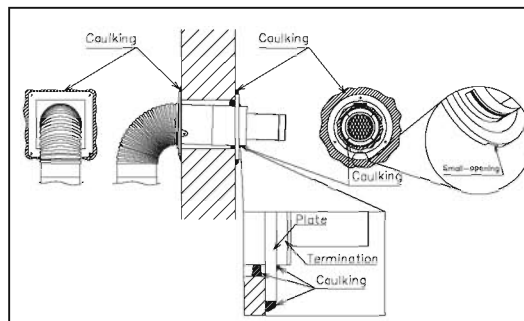


Fig.3-2 Horizontal direct installation

**Fig.3 Details around termination in horizontal installation**

Table 1 Parts combination in accordance with wall thickness

**Standard Kit (Horizontal direct installation)**

	Standard case	Optional cases
Wall thickness	<11.8 in	11.4-16.7 in
Vent Kit- Horizontal	CVK-H / CVK-H-F (Concentric Kit- standard Horizontal)	CVK-H2 / CVK-H2-F (Concentric Kit- standard Horizontal 2)

1. Check the location of appliance and the Termination. Adjust the vertical position so that vent kit-standard Horizontal can be connected to the appliance by the adjustable mechanism of Part A/B of CVK-H / CVK-H2 or CVK-H-F / CVK-H2-F (Vent kit-standard Horizontal).
2. Cut a 6" diameter opening. Cover the flue outlet to avoid debris from entering the appliance.
3. VENT KIT consists of 5 parts, Part A (indoor part, straight pipe with connection mechanism), Part B (indoor part, elbow with straight pipe), Part C (indoor part, square plate), Part D (outdoor part, termination) and FP-5-OUT-S (outdoor part). Connect Part A and Part B to make the elbow adjustable. Fasten Part B and Part C with 3 provided screws.
4. Check wall thickness where the vent system passes through. Select suitable kit according to Table 1. In standard case, use CVK-H or CVK-H-F. In the optional case with thicker wall (wall thickness 11.4 – 16.7 in), use CVK-H2 or CVK-H2-F. To fix horizontal adjustable mechanism, open the hole with 1/8in diameter and fasten them by appropriate screw (ex. metal screw pan head #8-1/4). Adjust the length of the combination of the parts so that the end of the air intake part of the Termination protrudes about 0.8" from the wall. Make sure the label with red line on the air intake of termination should be downward, so that the red line of the label can be seen from the exterior wall. (See Fig 3-1)
5. Attach Part C (indoor part square plate) on the inner wall by 4 appropriate screws.
6. Seal between Part C and the inner wall. Seal between air intake of Part D (outdoor part, termination) and the exterior wall. (See Fig3-2)
7. Connect VENT KIT to the appliance using the vertical adjustable mechanism.
8. Seal between termination and the outer wall. (See Fig3-2) Attach FP-5-OUT-S on the outer wall with 3 appropriate screws. Then, seal between FP-5-OUT-S and the outer wall, and also seal between FP-5-OUT-S and terminations. Seal the small opening of FP-5-OUT-S tight. (See Fig3-2)

**N-Vent**

NORITZ AMERICA CORPORATION  
11160 Grace Avenue, Fountain Valley, CA 92708

www.noritz.com