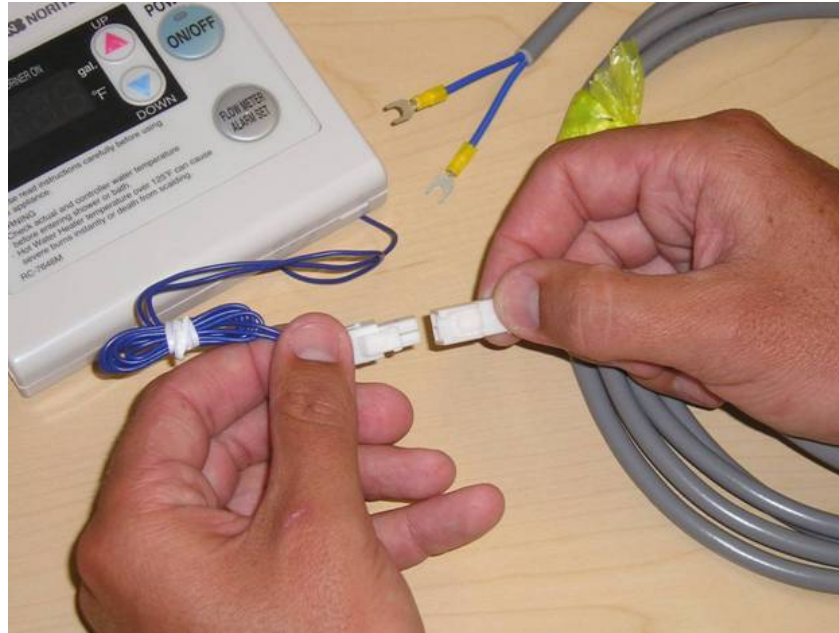


## How to Install Remotes (All Units)



**Figure 1. Remote controller and remote control Cord**

### **Considerations on the installation location:**

- The remote should be installed in an easily accessible location.
- Avoid installing in a place where the water or steam can come into contact with the controller.
- Avoid locations where special chemical agents (e.g., benzene, fatty and oily detergents) are used.
- Avoid outdoor installation, or installation in an indoor location where it will be exposed to direct sunlight.



**Figure 1a. Remote control cord**

### Connection of the Remote Controller Cord:

- White Connector -> To Remote Controller (Figure 1.)
- Y-Shaped terminals->To Water heater (Figure 1.)
- A 26' cord can be purchased separately(Part# RC-CORD26)  
\*Confirm the connection with the labels at both ends of the remote controller cord.
- The remote controller cord can be extended up to 300 ft. by splicing the cord and using 18 gauge wire to extend the cord to the appropriate length.

### Types of Remote Terminal Blocks:

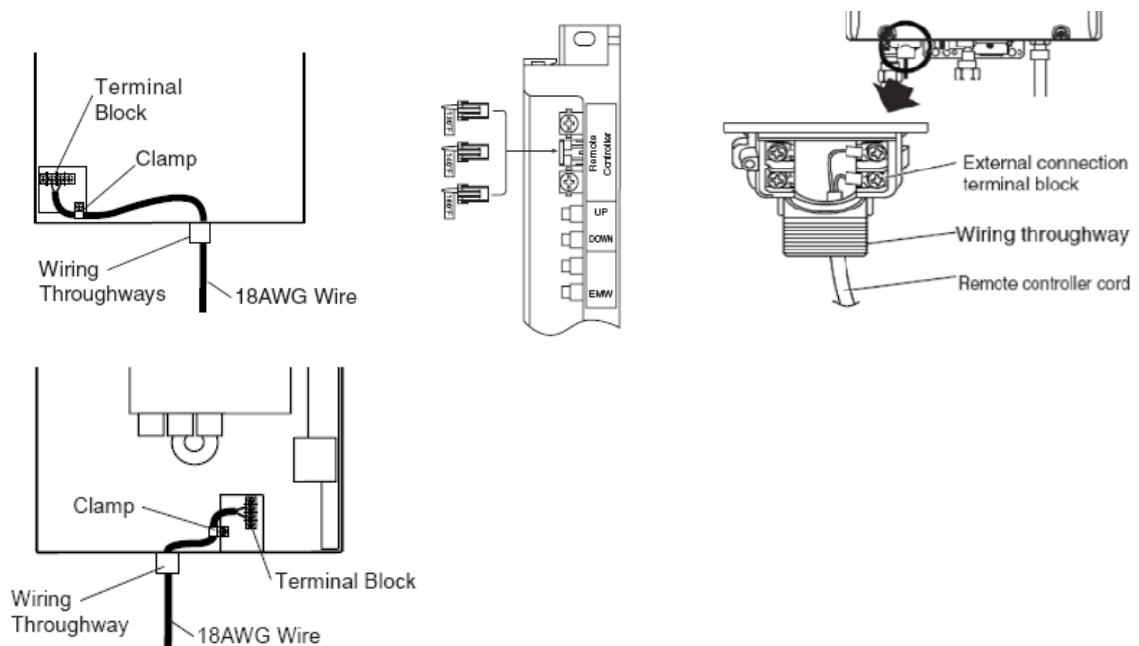
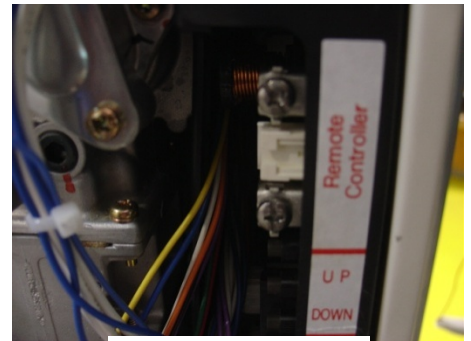


Figure 2. (Left to Right) Internal, Circuit board mounted, and External connection terminal blocks

There are several types of remote terminal block connections found in our water heaters. Many of our older models have internally mounted terminal blocks located near the GFCI on the left or right hand side of the water heater. Smaller water heaters such as the NR50, NR66, NR71, N-0531S, and N-0631S feature a circuit board mounted remote terminal block which is conveniently labeled. Newer models of our tankless water heaters feature an externally mounted terminal block connection found on the left hand side under the water heater.

- **Internal & Circuit board mounted terminal block type:**

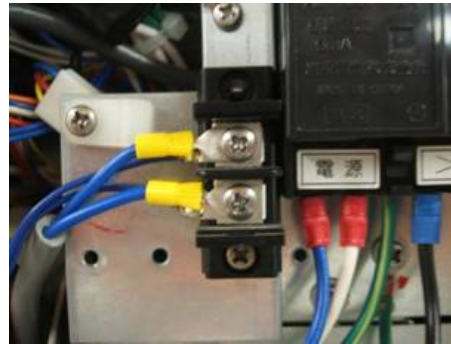
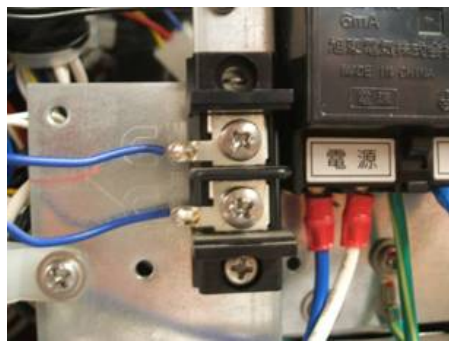
1. Leave enough slack so that the remote controller cord will not be damaged if the unit is removed from the wall.
2. Remove the front cover of the heater (4 screws).
3. Pass the remote controller cord through the wiring throughway and into the unit.



**Figure 2a. Circuit board mounted blocks**



4. Connect the Y terminals at the end of the remote controller cord to the terminal block.



5. Secure the remote controller cord with a clamp.
6. Replace the front cover.

\*Applicable to: N-063S-(OD), N-069M-(OD/DV), N-084M-(DV)[ right side], N-132M[ right side]. N-0531S-(OD), N-0631S-(OD), N-0751M-(OD/DV), N-0931M-(OD/DV), up to revision 3-08, N-1321M-ASME [right side].

- **External connection terminal block type (Newer Models):**

1. Check to make sure that the remote controller cord has plenty of slack in order to reach the external connection terminal block.
2. Disconnect electrical power to the water heater.
3. Remove the single screw securing the terminal block cover and then remove the cover.
4. Pass the remote controller cord through the wiring throughway and connect the Y terminals at the end of the remote controller cord to the terminal block.
5. Replace the terminal block cover and install the screw previously removed in step 3.
6. Reconnect electrical power to the water heater.



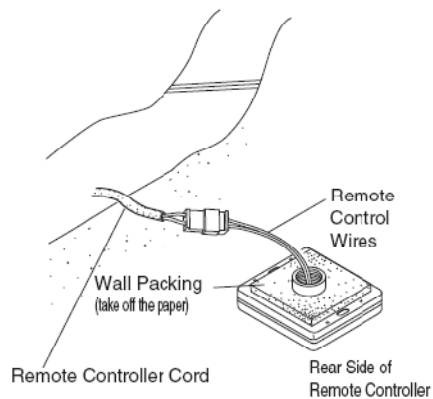
**Figure 3. External connection to terminal block**

\*Applicable to: N-0531S-(OD), N-0631S-(OD), N-0751M-(OD/DV), N-0841MC-(DV) N-0931M-(OD/DV) starting revision 4-08.

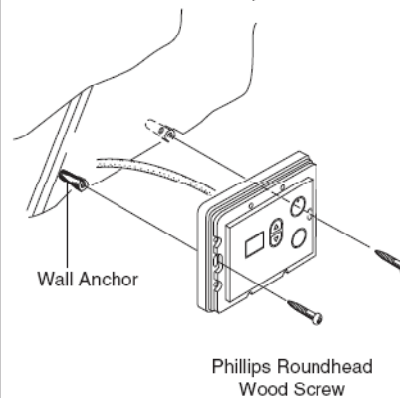
### Attaching the remote to the Wall:

#### Installation

1. Apply Wall Packing to the rear side of the remote controller.
2. Connect the remote controller wires to the separate remote controller cord.

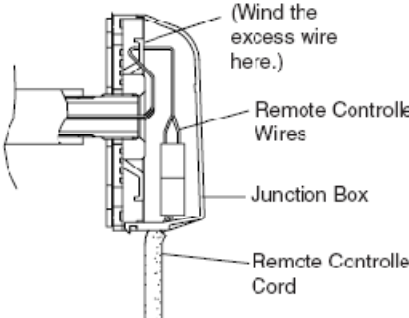
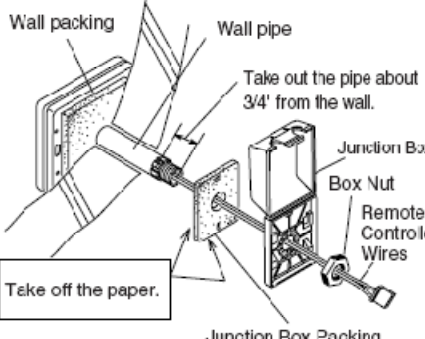


3. Remove the cover of the remote control, mark the location of the screw holes, and drill holes for the wall anchors.
4. Insert the wall anchors, screw the remote control to the wall and replace the cover.





**Figure 4. Remote Controller Outdoor Junction Box**

<p>2. Drill a <math>\varnothing 1\text{-}1/4"</math> hole in the wall where the remote controller will be installed.</p> <p>* Do not install the remote controller in a location that is exposed to moisture, direct sunlight, or chemical agents. These can damage the remote controller.</p>	<p>6. Connect the remote controller wires to the separate remote controller cord inside the box. Wind the excess remote controller wire on the provided hooks as illustrated below.</p>  <p>(Wind the excess wire here.)</p> <p>Remote Controller Wires</p> <p>Junction Box</p> <p>Remote Controller Cord</p> <div style="border: 1px solid black; padding: 5px; width: fit-content; margin: 10px auto;"> <p>Tie the redundant length of the remote controller cord outside the junction box.</p> </div>
<p>3. Insert the wall pipe containing the remote controller wires through the hole.</p> <p>4. Slide the junction box packing and the junction box over the remote controller wires and wall pipe protruding from the outside wall.</p>  <p>Wall packing</p> <p>Wall pipe</p> <p>Take out the pipe about 3/4' from the wall.</p> <p>Junction Box</p> <p>Box Nut</p> <p>Remote Controller Wires</p> <p>Junction Box Packing</p> <div style="border: 1px solid black; padding: 2px; width: fit-content; margin: 5px 0;"> <p>Take off the paper.</p> </div>	<p>7. Close the junction box.</p>